



BIOCRUST ENVI-TECH

BIOCRUST PRIVATE LIMITED

POSITIVE DISPLACEMENT BLOWERS, VACUUM PUMPS & RING BLOWERS

TWIN-LOBE & TRI-LOBE SERIES

Pit-Stop Solutions.

Twin & Tri lobe Rotary Air Blowers |
Compressors | Compressors Twin Lobe
Rotary Gas Blowers | Multistage
Centrifugal Blowers & Ring Blowers

Acoustic Hoods | Enclosures Vacuum
Pumps | Spares.

What we do?

“Biocrust Envi-Tech” is a Trade name of Blower & Vacuum manufacturing division of **“Biocrust Private limited”**. We are a Govt. of India & Govt. of Uttar Pradesh recognized, DPIIT Approved Startup company in the manufacturing of “Organic Food & Beverages” along with Environment Sustainability solutions.

We have been designing and manufacturing superior quality positive displacement Air blower & Vacuum solutions used in STP, ETP, WTP etc. since 2020. As we have a legacy of Engineering experience of more than decades for developing high quality Roots Blowers & environment sustainability solutions.

In the tough & global competition & global Pandemic situation - we strongly adhere to competitive pricing, Reliability, efficiency, innovation in both the category i.e. Root blower, Vacuum & FMCG. We have thrived to lead Market, earning world-wide credibility and have exported our products to over 4 countries world-wide.

We believe that our reputation for reliable products, excellent services and timely deliveries has helped us grow into a globally recognized brand enabling success for our customers/users. We Aim to preserve production standardization making sure we remainat par with other worldwide manufacturers.

CONTENTS

Vision, Mission, Quality Policy, Quality Objectives & Core Values	3
About Us & Timeline	4-7
Product Range & Blower Applications	8-9
Design & Technical Features Twin-Lobe Blowers.....	10-11
Performance Table Twin-Lobe Blowers.....	12-15
Structure and Material Twin-Lobe	16
Dimensions and Weight Twin-Lobe Blowers.....	17-18
Design & Technical Features Tri-Lobe Blowers	19-20
Performance Table Tri-Lobe Blowers.....	21-22
Structure and Material Tri-Lobe Blowers	23
Dimensions and Weight Tri-Lobe Blowers.....	24
Soundproof Enclosures Package	25
Single Stage High Speed Centrifugal Blowers (Turbo Blowers)	26
EZR Series Large Size High Pressure PD Blowers	27
Spares & Accessories	30-31



POLICY

“Biocrust Private Limited” is committed to continually improve in all process areas leading to quality product by involving competency to achieve customer satisfaction through timely completion of projects at optimal cost with enhanced, reliability, operability and efficiency

MISSION

- Wastage reduction.
- On time delivery of defect free products.
- Introducing New/ upgraded products meeting customer’s expectations
- Cost reduction by Value Engineering/ other methods
- Effective customer support & After sales services
- Effective planning & resource management through implementing best practices in manufacturing or EPC Project towards timely completion.

Values

- Customer-centric approach
- Human Values
- Ethics & Integrity
- Result Oriented
- Self-motivated individuals
- Transparent Communication

Twin-lobe Rotary Air Blowers | Compressors Tri-lobe Rotary Air Blowers | Compressors Tri-lobe Vertical Rotary Air Blowers | Compressors Twin Lobe Rotary Gas Blowers | Compressors Integral Gear Box Design - High Speed Turbo Blowers Multistage Centrifugal Blowers, Ring Blowers Acoustic Hoods | Enclosures Vacuum Pumps Spares

Engineering
Designing
Manufacturing
Testing
Post Sales & Service

ABOUT US

A focus on innovative design and high Quality machines & Spares Producer, earned **“Biocrust Pvt. Ltd.”** a reputation for the excellent workmanship amongst its users.

For almost decades **“Biocrust Envi-Tech”** has offered its customers quality, cost-effective solutions necessary to meet the changing technology & needs.

Biocrust Private Limited is a new age Govt. Of India & Govt. of Uttar Pradesh recognized Startup in multi domain manufacturing of Environment friendly & Sustainable Equipments & Spares includes Positive Displacement Air Blower, Side channel Ring Blowers & Air Filters.

This broad product line includes Twin Lobe & Tri-Lobe Rotary Air Blowers / Compressors (Roots Blowers), Blower Package, Mechanical Vacuum Boosters, Dry Screw Vacuum Pumps, Acoustic Hoods Turbo Blowers, Multistage Centrifugal Blowers & Industrial Vacuum Systems. These wide-ranging products and the technical expertise gained over the years have enabled Everest to serve various segments of industry such as Water Treatment Plants, Effluent Treatment Plants, Cement Plants, Aquaculture Farms, Flue Gas Desulfurization (FGD), Chemical & Pharmaceutical Plants, Food Processing Units, Waste Oil Re-refining Units, Paper Plants, Vacuum Plants and Systems and Pneumatic Conveying Systems.

The blowers find use in applications requiring medium pressure air such as aeration in sewage treatment and effluent treatment plants, filter backwash, agitation of electrolyte, pneumatic conveying, regeneration of dryers & molecular sieves, maintaining BOD of water etc.

The mechanical vacuum booster & Dry Screw Vacuum Pumps, a sophisticated piece of machinery developed by the company, finds use in chemical and pharmaceutical processes, bulb and tube light production, waste oil re-refining, roll and object

Twin-lobe Rotary Air Blowers | Compressors
 Tri-lobe Rotary Air Blowers | Compressors
 Tri-lobe Vertical Rotary Air Blowers | Compressors
 Twin Lobe Rotary Gas Blowers | Compressors
 Integral Gear Box Design - High Speed Turbo Blowers
 Multistage Centrifugal Blowers
 Acoustic Hoods | Enclosures
 Vacuum Pumps
 Spares

in Food Processing, Pharmaceutical & Chemical Industries. Everest also offers 100% Dry Vacuum Systems having no requirement of Steam, Water or Oil. This leads to zero effluent / zero discharge of any harmful gases inside the plant, thus maintaining high level of product quality and maintaining pollution free environment.

Some of our prestigious clients include NIOT, NPCIL, Indian Space Research Organization, Centre for Advanced Technology, BARC, Mishra Dhatu Nigam, NTPC, Ion Exchange (India) Ltd., Thermax, Aurobindo Pharma, KLJ, Wockhardt, VA Tech Wabag, Maruti Udyog, Honda Siel, Hero Honda, Grasim Industries, Cadbury, LG Polymers, Heinz, Vam Organics, Smithkline Beecham, Cipla, DSM, Hereto Drugs, IOCL, GAIL, EIL, BHEL, Grasim, ACC, Tata Steel, Jindal Steel, McNally Bharat, Jindal Saw and many more.

We are concentrating more on application engineering and in helping our customer's save on their processes. This innovation has not only compensated on our general sales but even helped us to outperform on our targets. Our application oriented R&D team has made it possible to cover wider areas of applications, offering cost effective and energy efficient solutions thus creating larger market demand for our products.

A focus on innovative design and high quality machined parts has earned Everest a reputation for excellent workmanship amongst its users. For more than three decades Everest has offered its customers quality, cost-effective machines necessary to meet the changing technology. Our commitment to total quality in both our products and services is the foundation upon which our future business is based.

Some of Our Recent Achievements

- Design & manufacture of seal less Roots Blowers
- Design & manufacture of solvent recovery systems to curb pollution. These systems not only play an important role by making the process eco-friendly but also recover precious solvents for reuse.
- Design & manufacture of CPCB approved systems for waste oil re-refining.
- Design & manufacture of mechanical vacuum boosters for replacement of steam jet ejectors.

Package Blower Systems



TWIN LOBE ROTARY GAS BLOWERS



TRI-LOBE ROTARY AIR BLOWERS



TWIN-LOBE ROTARY AIR BLOWERS



Tri-Lobe Rotary Air Blower



ACOUSTIC HOODS | ENCLOSURES



Single Stage Ring Blower



MULTISTAGE Ring Blower



Twin-LOBE & TRI-LOBE ROOTS AIR BLOWER APPLICATION:

Over 1,000 domestic & international installation of “Biocrust Envi-Tech” is a proof of our reliability & strength, providing universal solutions in wide ranging applications such as:

- Water Treatment
- Sewage Treatment
- Biogas
- Cement
- Coal
- Textile
- Power
- Pneumatic Conveying
- Chemical
- Construction
- Aerospace
- Agriculture
- Energy
- Petrochemical
- Pharma
- Food Processing
- Sugar
- Metal Industries
- Paper
- Glass
- Plastics
- FGD - Flue Gas Desulfurization
- VPSA - Vacuum Pressure Swing Adsorption
- Truck Mounted Blowers (Vacuum Applications)



DESIGN & TECHNICAL FEATURES TWIN-LOBE BLOWERS

Seal:

Low-wear, non-contacting, labyrinth-type seals ensure performance and long life.

Casing:

All “Biocrust Envi-Tech” Envi-Tech units are single-piece construction and precision machined cast iron, with ribs for strength and consistent thermal behavior.

Shafts:

Rotor shafts are alloy steel forgings that allow higher operating pressures and rotation speeds

Rotors:

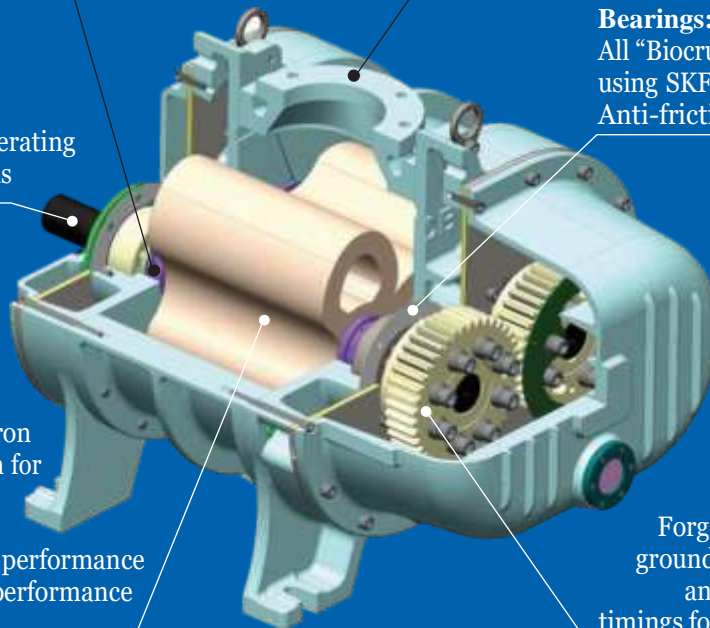
Made from cast iron or SG iron stainless steel with stiff design for maximum life.
By CNC and 3D machinery control to ensure the highest performance providing with trouble-free performance and durability.

Bearings:

All “Biocrust Envi-Tech” Blower units are using SKF/FAG Eqv. bearings with long life. Anti-friction type vary with machine.

Timing Gears:

Forged steel gears with hardened and ground spur teeth to reduced vibrations and ensures accurate rotor to rotor timings for smooth and efficient operation.



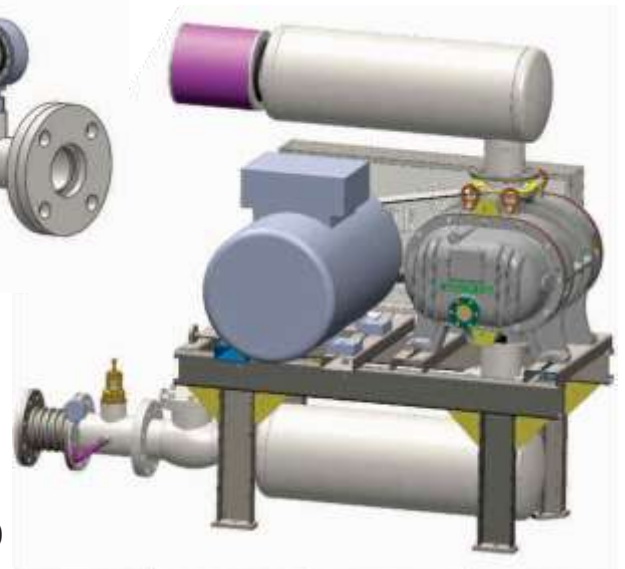
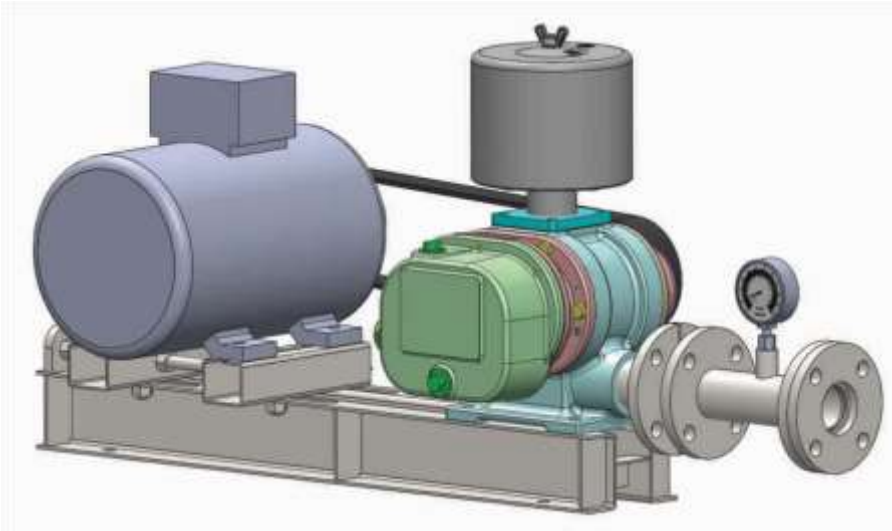
ENQUIRY

⊙ “Biocrust Envi-Tech” develops positive displacement blowers for a full range of application.

⊙ When enquiring, please inform us the following:

- Application: Water Aeration, Pneumatic Conveying etc.
- Specifications:
 - Suction Capacity (Air Flow Requirements)
 - Differential Pressure
 - Temperature
 - Humidity
- Drive: Motor Type, Condition
- Installation: Indoor or Outdoor, Ambient Temperature
- Type of Gas: Name and Properties

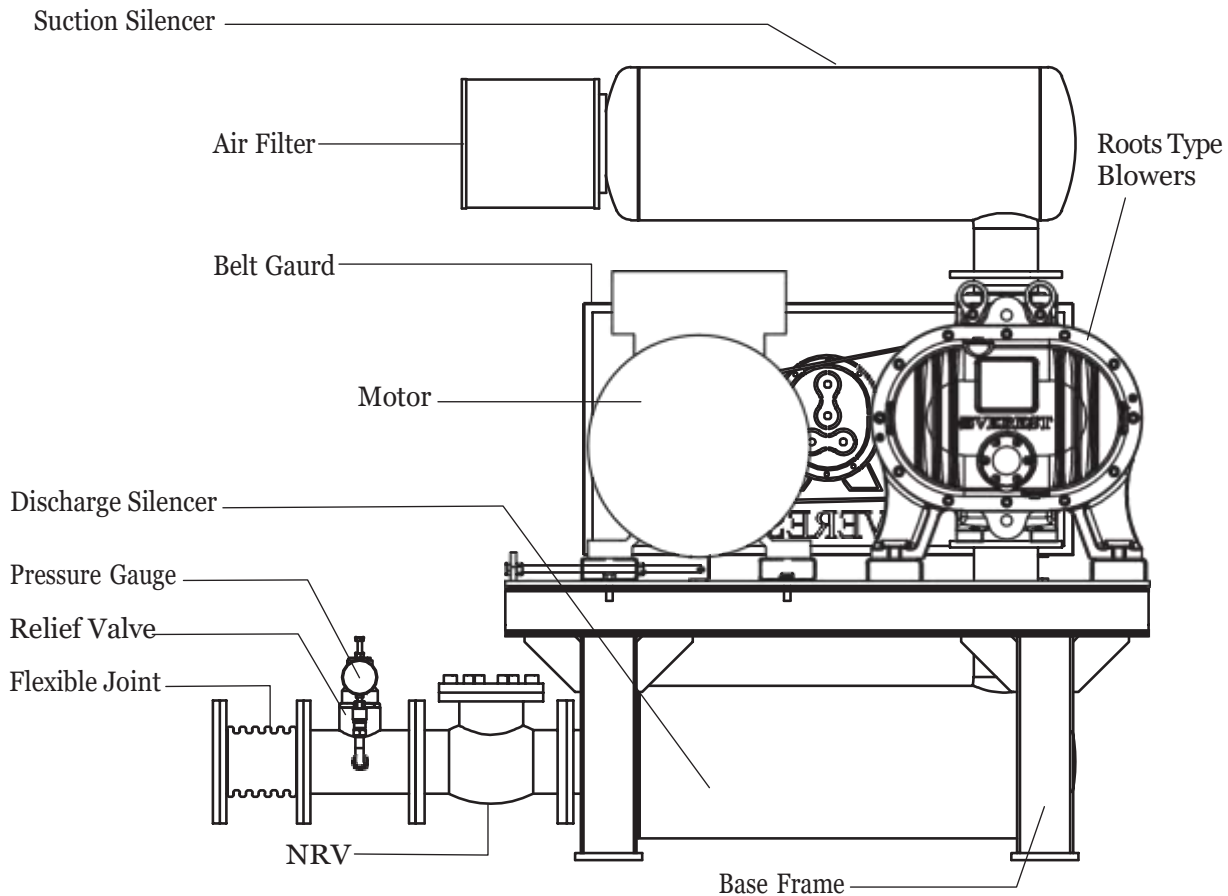
TWIN-LOBE BLOWER COMPLETE SET



ADVANTAGE

Wide range of volume, pressure & horse power

- Bore : 25NB to 450NB (1" to 18")
- Pressure : 1000mmWC to 7000mmWC (Air cooled)
8000mmWC to 10000mmWC (Water cooled)
- Horse Power : 0.5HP to 650HP (0.372kw to 500 kw)
- Capacity : 10 to 20000 m³/hr



TYPE MODEL

- M422
- M450
- M44
- M5125
- M5175
- EXPO-2
- 67
- 610
- 615
- 78
- 710
- 713
- 812
- 816
- 820
- 1012
- 1016
- 1020
- 1024
- ET7000
- ET9000
- ERRG350
- ERRG400
- ERRG445
- ERRG450

PERFORMANCE TABLE TWIN-LOBE ROTARY BLOWERS

MODEL	AIR COOLED															WATER COOLED						
	SPEED	1000 mmWC		2000 mmWC		3000 mmWC		4000 mmWC		5000 mmWC		6000 mmWC		7000 mmWC		8000 mmWC		9000 mmWC		10000 mmWC		
	RPM	m ³ /hr	BKW	m ³ /hr	BKW	m ³ /hr	BKW	m ³ /hr	BKW	m ³ /hr	BKW	m ³ /hr	BKW	m ³ /hr	BKW	m ³ /hr	BKW	m ³ /hr	BKW	m ³ /hr	BKW	
M422	1600	26	0.2	19	0.3	14	0.5	9	0.6	5	0.7	2	0.8	0	0.9							
	2000	37	0.3	30	0.4	25	0.6	20	0.7	16	0.9	12	1.0	9	1.2							
	2600	54	0.4	47	0.5	41	0.7	36	0.9	32	1.1	29	1.3	25	1.5							
	3200	70	0.4	63	0.7	57	0.9	53	1.1	49	1.4	45	1.6	42	1.9							
	3800	86	0.5	79	0.8	74	1.1	69	1.4	65	1.6	61	1.9	58	2.2							
	4400	103	0.6	95	0.9	90	1.3	85	1.6	81	1.9	78	2.2	74	2.6							
	5000	119	0.7	112	1.1	106	1.4	102	1.8	98	2.2	94	2.5	91	2.9							
M450	700	45	0.4	34	0.6	25	0.8	18	1.0	12	1.2	6	1.4	1	1.5							
	1000	75	0.5	64	0.8	56	1.1	49	1.4	42	1.7	36	1.9	31	2.2							
	1400	116	0.8	105	1.2	96	1.5	89	1.9	83	2.3	77	2.7	72	3.1							
	1800	157	1.0	146	1.5	137	2.0	130	2.5	124	3.0	118	3.5	113	4.0							
	2000	177	1.1	166	1.6	158	2.2	150	2.8	144	3.3	138	3.9	133	4.4							
	2200	198	1.2	187	1.8	178	2.4	171	3.0	165	3.6	159	4.2	154	4.9							
	2400			207	2.0	198	2.6	191	3.3	185	4.0	179	4.6	174	5.3							
M44	700	80	0.5	69	0.8	61	1.0	55	1.3	49	1.6	44	1.9	39	2.2							
	1000	125	0.7	114	1.1	106	1.5	100	1.9	94	2.3	88	2.7	84	3.1							
	1500	199	1.0	189	1.6	181	2.2	174	2.8	169	3.5	163	4.1	158	4.7							
	1900	259	1.3	249	2.1	241	2.8	234	3.6	228	4.4	223	5.1	218	5.9							
	2200	304	1.5	294	2.4	286	3.3	279	4.2	273	5.1	268	6.0	263	6.9							
	2500	349	1.7	339	2.7	331	3.7	324	4.7	318	5.8	313	6.8									
	2800	394	1.9	384	3.0	376	4.2	369	5.3	348	6.4											
M5125	700	147	0.9	124	1.5	107	2.0	92	2.6	79	3.1	67	3.7	57	4.2							
	1000	234	1.3	211	2.1	194	2.9	179	3.7	166	4.4	154	5.2	143	6.0							
	1500	378	2.0	356	3.1	338	4.3	323	5.5	310	6.7	298	7.8	288	9.0							
	1900	494	2.5	471	4.0	454	5.5	439	7.0	426	8.5	414	9.9	403	11.4							
	2200	581	2.9	558	4.6	540	6.3	526	8.1	513	9.8	501	11.5	490	13.2							
	2500	667	3.3	644	5.2	627	7.2	612	9.2	599	11.1	587	13.1	577	15.0							
	2800	754	3.7	731	5.9	714	8.1	699	10.3	686	12.5	674	14.7	663	16.9							
M5175	700	206	1.1	174	1.9	150	2.7	129	3.4	111	4.2	94	5.0	79	5.8							
	1000	327	1.6	295	2.7	271	3.8	250	4.9	232	6.0	216	7.1	200	8.2							
	1500	530	2.4	498	4.1	473	5.7	453	7.4	434	9.0	418	10.7	403	12.3							
	1900	691	3.1	660	5.2	635	7.3	614	9.3	596	11.4	580	13.5	565	15.6							
	2200	813	3.6	781	6.0	756	8.4	736	10.8	718	13.2	701	15.7									
	2500	934	4.1	902	6.8	878	9.5	857	12.3	839	15.0											
	2800	1056	4.5	1024	7.6	999	10.7	978	13.8	960	16.9											
BIO-2	700	144	1.0	117	1.5	97	2.1	80	2.7	65	3.2	52	3.8	39	4.4							
	1000	232	1.4	206	2.2	186	3.0	169	3.8	154	4.6	140	5.4	128	6.2							
	1500	380	2.1	354	3.3	334	4.5	317	5.7	302	6.9	288	8.1	276	9.3							
	2000	528	2.8	502	4.4	482	6.0	465	7.6	450	9.2	436	10.8	424	12.4							
	2500	676	3.5	650	5.5	630	7.5	613	9.5	598	11.5	584	13.5	572	15.6							
	3000	824	4.2	798	6.6	777	9.0	760	11.4	745	13.8	732	16.3	719	18.7							
	3600	1001	5.0	975	7.9	955	10.8	938	13.7	923	16.6	909	19.5									

Blue cells for FAD indicate next higher standard line size recommended. Red value for BKW indicate suitable for Intermittent Duty Applications only & not fit for continuous 24/7 running.

PERFORMANCE TABLE TWIN-LOBE ROTARY BLOWERS

MODEL	AIR COOLED															WATER COOLED					
	SPEED	1000 mmWC		2000 mmWC		3000 mmWC		4000 mmWC		5000 mmWC		6000 mmWC		7000 mmWC		8000 mmWC		9000 mmWC		10000 mmWC	
	RPM	m ³ /hr	BKW	m ³ /hr	BKW	m ³ /hr	BKW	m ³ /hr	BKW	m ³ /hr	BKW	m ³ /hr	BKW	m ³ /hr	BKW	m ³ /hr	BKW	m ³ /hr	BKW	m ³ /hr	BKW
67	700	286	1.6	241	2.7	207	3.7	179	4.8	154	5.9	131	6.9	110	8.0	90	9.1	72	10.1	54	11.2
	1000	454	2.3	410	3.8	376	5.3	347	6.8	322	8.4	299	9.9	278	11.4	258	12.9	240	14.5	223	16.0
	1400	678	3.2	634	5.3	600	7.4	571	9.6	546	11.7	523	13.8	502	16.0	483	18.1	464	20.2	447	22.4
	1700	847	3.9	802	6.5	768	9.0	740	11.6	714	14.2	692	16.8	671	19.4	651	22.0	633	24.6	615	27.2
	2000	1015	4.5	971	7.6	937	10.6	908	13.7	883	16.7	860	19.8	839	22.8	819	25.9	801	28.9	784	32.0
	2200	1127	5.0	1063	8.3	1049	11.7	1020	15.1	995	18.4	972	21.8	951	25.1	932	28.5	913	31.8	896	35.2
	2400	1239	5.4	1195	9.1	1161	12.8	1132	16.4	1107	20.1	1084	23.7	1063	27.4	1044	31.1	1025	34.7		
610	700	382	1.9	323	3.4	277	4.8	239	6.2	205	7.7	175	9.1	147	10.5	120	11.9	96	13.4	73	14.8
	1000	607	2.8	547	4.8	502	6.9	464	8.9	430	10.9	400	13.0	371	15.0	345	17.0	321	19.1	298	21.1
	1400	906	3.9	847	6.7	802	9.6	764	12.5	730	15.3	699	18.2	671	21.0	645	23.9	621	26.7	597	29.6
	1800	1206	5.0	1147	8.7	1102	12.3	1063	16.0	1030	19.7	999	23.3	971	27.0	945	30.7	920	34.3		
	2000	1356	5.6	1297	9.6	1252	13.7	1213	17.8	1180	21.9	1149	25.9	1121	30.0	1095	34.1				
	2200	1506	6.1	1447	10.6	1402	15.1	1363	19.6	1329	24.0	1299	28.5	1271	33.0						
	2400	1656	6.7	1597	11.6	1551	16.5	1513	21.3	1479	26.2	1449	31.1								
615	700	585	2.7	502	4.8	438	7.0	384	9.1	337	11.2	294	13.4	255	15.5	218	17.6	184	19.8	151	21.9
	1000	921	3.9	838	6.9	775	10.0	721	13.0	673	16.1	631	19.1	591	22.2	555	25.2	520	28.3	488	31.3
	1400	1370	5.4	1287	9.7	1223	14.0	1169	18.2	1122	22.5	1079	26.8	1040	31.0	1003	35.3				
	1800	1819	7.0	1736	12.5	1672	17.9	1618	23.4	1571	28.9	1528	34.4								
	2000	2043	7.7	1960	13.8	1896	19.9	1843	26.0	1795	32.1										
	2200	2267	8.5	2184	15.2	2121	21.9	2067	28.6	2020	35.3										
	2400	2492	9.3	2409	16.6	2345	23.9	2291	31.2												
78	700	522	2.3	472	4.0	434	5.8	402	7.5	373	9.3	348	11.0	324	12.7	302	14.5	282	16.2	262	18.0
	900	706	2.9	656	5.2	618	7.4	585	9.7	557	11.9	531	14.1	508	16.4	486	18.6	465	20.9	446	23.1
	1100	889	3.6	839	6.3	801	9.1	769	11.8	741	14.5	715	17.3	691	20.0	669	22.8	649	25.5	629	28.3
	1300	1073	4.2	1023	7.5	985	10.7	953	13.9	924	17.2	898	20.4	875	23.7	853	26.9	832	30.2	813	33.4
	1500	1256	4.9	1207	8.6	1168	12.3	1136	16.1	1108	19.8	1082	23.6	1058	27.3	1036	31.0	1016	34.8	996	38.5
	1800	1532	5.8	1482	10.3	1444	14.8	1412	19.3	1383	23.8	1357	28.3	1334	32.8	1312	37.3	1291	41.7	1272	46.2
	2000	1715	6.5	1666	11.5	1627	16.5	1595	21.4	1567	26.4	1541	31.4	1517	36.4	1495	41.4	1475	46.4	1455	51.4
710	700	653	2.7	590	4.9	543	7.1	502	9.3	467	11.4	435	13.6	405	15.8	378	18.0	352	20.2	328	22.3
	900	882	3.5	820	6.3	772	9.1	732	11.9	696	14.7	664	17.5	635	20.3	607	23.1	581	25.9	557	28.7
	1100	1112	4.2	1049	7.7	1002	11.1	961	14.5	926	18.0	894	21.4	864	24.8	837	28.3	811	31.7	786	35.1
	1300	1341	5.0	1279	9.1	1231	13.1	1191	17.2	1155	21.2	1123	25.3	1094	29.3	1066	33.4	1040	37.4	1016	41.5
	1500	1571	5.8	1508	10.5	1460	15.1	1420	19.8	1385	24.5	1353	29.2	1323	33.9	1296	38.5	1270	43.2	1245	47.9
	1800	1915	7.0	1852	12.6	1805	18.2	1764	23.8	1729	29.4	1697	35.0	1667	40.6	1640	46.2	1614	51.8		
	2000			2082	14.0	2034	20.2	1994	26.4	1958	32.7	1926	38.9	1897	45.1	1869	51.4				
713	700	848	3.4	767	6.2	705	9.0	653	11.9	607	14.7	565	17.5	526	20.4	491	23.2	457	26.0	426	28.9
	900	1146	4.3	1065	8.0	1003	11.6	951	15.3	905	18.9	863	22.5	825	26.2	789	29.8	755	33.5	724	37.1
	1100	1444	5.3	1363	9.7	1301	14.2	1249	18.6	1203	23.1	1161	27.6	1123	32.0	1087	36.5	1054	40.9	1022	45.4
	1300	1742	6.2	1662	11.5	1599	16.8	1547	22.0	1501	27.3	1459	32.6	1421	37.8	1385	43.1	1352	48.4		
	1500	2041	7.2	1960	13.3	1898	19.3	1845	25.4	1799	31.5	1757	37.6	1719	43.6	1683	49.7				
	1800	2488	8.6	2407	15.9	2345	23.2	2292	30.5	2246	37.8	2205	45.1	2166	52.4						
	2000	2786	9.6	2705	17.7	2643	25.8	2591	33.9	2544	42.0	2503	50.1								

Blue cells for FAD indicate next higher standard line size recommended. Red value for BKW indicate suitable for Intermittent Duty Applications only & not fit for continuous 24/7 running.

PERFORMANCE TABLE TWIN-LOBE ROTARY BLOWERS

MODEL	AIR COOLED														WATER COOLED							
	SPEED	1000 mmWC		2000 mmWC		3000 mmWC		4000 mmWC		5000 mmWC		6000 mmWC		7000 mmWC		8000 mmWC		9000 mmWC		10000 mmWC		
	RPM	m ³ /hr	BKW	m ³ /hr	BKW	m ³ /hr	BKW	m ³ /hr	BKW	m ³ /hr	BKW	m ³ /hr	BKW	m ³ /hr	BKW	m ³ /hr	BKW	m ³ /hr	BKW	m ³ /hr	BKW	
812	700	962	5.1	899	8.1	851	11.2	810	14.2	775	17.2	742	20.2	712	23.3	685	26.3	659	29.3	634	32.4	
	900	1280	6.6	1217	10.5	1169	14.4	1129	18.2	1093	22.1	1060	26.0	1031	29.9	1003	33.8	977	37.7	952	41.6	
	1100	1598	8.0	1536	12.8	1487	17.5	1447	22.3	1411	27.1	1379	31.8	1349	36.6	1321	41.3	1295	46.1	1270	50.8	
	1300	1917	9.5	1854	15.1	1806	20.7	1765	26.4	1729	32.0	1697	37.6	1667	43.2	1639	48.8	1613	54.5	1589	60.1	
	1500	2235	11.0	2172	17.4	2124	23.9	2083	30.4	2047	36.9	2015	43.4	1985	49.9	1957	56.4	1931	62.8	1907	69.3	
	1700	2553	12.4	2490	19.8	2442	27.1	2401	34.5	2365	41.8	2333	49.2	2303	56.5	2276	63.9					
	1800	2712	13.2	2649	20.9	2601	28.7	2560	36.5	2525	44.3	2492	52.1	2462	59.8	2435	67.6					
816	700	1283	6.1	1199	10.2	1135	14.2	1080	18.2	1033	22.3	990	26.3	950	30.3	913	34.4	878	38.4	845	42.4	
	900	1707	7.9	1623	13.1	1559	18.2	1505	23.4	1457	28.6	1414	33.8	1374	39.0	1337	44.2	1302	49.4	1270	54.6	
	1100	2131	9.6	2047	16.0	1983	22.3	1929	28.6	1881	35.0	1838	41.3	1798	47.7	1761	54.0	1727	60.3	1694	66.7	
	1300	2555	11.4	2472	18.9	2407	26.4	2353	33.9	2305	41.3	2262	48.8	2223	56.3	2186	63.8					
	1500	2980	13.1	2896	21.8	2832	30.4	2777	39.1	2730	47.7	2687	56.4	2647	65.0							
	1700	3404	14.9	3320	24.7	3256	34.5	3202	44.3	3154	54.1	3111	63.9									
	1800	3616	15.7	3532	26.1	3468	36.5	3414	46.9	3366	57.2	3323	67.6									
820	700	1603	7.1	1499	12.2	1418	17.2	1351	22.3	1291	27.3	1237	32.4	1187	37.4	1141	42.4	1098	47.5	1057	52.5	
	900	2134	9.2	2029	15.7	1949	22.1	1881	28.6	1821	35.1	1767	41.6	1718	48.1	1671	54.6	1628	61.0	1587	67.5	
	1100	2664	11.2	2559	19.1	2479	27.1	2411	35.0	2351	42.9	2298	50.8	2248	58.8	2202	66.7					
	1300	3194	13.2	3090	22.6	3009	32.0	2941	41.3	2882	50.7	2828	60.1	2778	69.4							
	1500	3725	15.3	3620	26.1	3540	36.9	3472	47.7	3412	58.5	3358	69.3									
	1700	4255	17.3	4150	29.6	4070	41.8	4002	54.1	3942	66.3											
	1800	4520	18.3	4415	31.3	4335	44.3	4267	57.2	4208	70.2											
1012	700	1644	7.8	1537	13.0	1455	18.1	1385	23.3	1324	28.5	1269	33.6	1218	38.8	1170	44.0	1126	49.2	1084	54.3	
	900	2188	10.0	2081	16.7	1999	23.3	1929	30.0	1868	36.6	1813	43.3	1762	49.9	1714	56.6	1670	63.2	1628	69.9	
	1100	2732	12.2	2625	20.4	2542	28.5	2473	36.6	2412	44.7	2356	52.9	2306	61.0	2258	69.1	2214	77.3	2172	85.4	
	1300	3276	14.5	3169	24.1	3086	33.7	3017	43.3	2956	52.9	2900	62.5	2849	72.1	2802	81.7	2758	91.3	2716	100.9	
	1500	3820	16.7	3713	27.8	3630	38.8	3561	49.9	3500	61.0	3444	72.1	3393	83.2	3346	94.3	3302	105.4	3259	116.4	
	1700	4364	18.9	4257	31.5	4174	44.0	4105	56.6	4044	69.2	3988	81.7	3937	94.3	3890	106.8	3845	119.4	3803	132.0	
	1800	4636	20.0	4529	33.3	4446	46.6	4377	59.9	4315	73.2	4260	86.5	4209	99.8	4162	113.1	4117	126.4	4075	139.7	
1016	700	2210	9.6	2065	16.5	1955	23.5	1861	30.4	1779	37.4	1705	44.3	1636	51.3	1573	58.2	1513	65.2	1456	72.1	
	900	2941	12.3	2796	21.2	2686	30.2	2592	39.1	2510	48.0	2436	57.0	2367	65.9	2304	74.9	2244	83.8	2187	92.7	
	1100	3671	15.0	3527	25.9	3416	36.9	3323	47.8	3241	58.7	3166	69.6	3098	80.6	3034	91.5	2975	102.4	2918	113.3	
	1300	4402	17.8	4258	30.7	4147	43.6	4054	56.5	3972	69.4	3897	82.3	3829	95.2	3765	108.1	3706	121.0	3649	133.9	
	1500	5133	20.5	4989	35.4	4878	50.3	4785	65.2	4703	80.1	4628	95.0	4560	109.9	4496	124.8	4436	139.7	4380	154.5	
	1700	5864	23.2	5720	40.1	5609	57.0	5516	73.9	5433	90.7	5359	107.6	5291	124.5	5227	141.4	5167	158.3			
	1800	6230	24.6	6085	42.5	5974	60.3	5881	78.2	5799	96.1	5725	114.0	5656	131.8	5593	149.7	5533	167.6			
1020	700	2826	11.5	2642	20.4	2500	29.3	2381	38.2	2276	47.1	2180	56.0	2093	64.8	2012	73.7	1935	82.6	1863	91.5	
	900	3761	14.8	3577	26.2	3435	37.7	3316	49.1	3210	60.5	3115	71.9	3028	83.4	2946	94.8	2870	106.2	2798	117.7	
	1100	4696	18.1	4511	32.0	4370	46.0	4250	60.0	4145	74.0	4050	87.9	3963	101.9	3881	115.9	3805	129.8	3733	143.8	
	1300	5631	21.4	5446	37.9	5305	54.4	5185	70.9	5080	87.4	4985	103.9	4898	120.4	4816	136.9	4740	153.5	4667	170.0	
	1500	6566	24.6	6381	43.7	6240	62.8	6120	81.8	6015	100.9	5920	119.9	5832	139.0	5751	158.0					
	1700	7501	27.9	7316	49.5	7174	71.1	7055	92.7	6950	114.3	6855	135.9	6767	157.5							
	1800	7968	29.6	7783	52.4	7642	75.3	7522	98.2	7417	121.0	7322	143.9	7235	166.7							

Blue cells for FAD indicate next higher standard line size recommended. Red value for BKW indicate suitable for Intermittent Duty Applications only & not fit for continuous 24/7 running.

PERFORMANCE TABLE TWIN-LOBE ROTARY BLOWERS

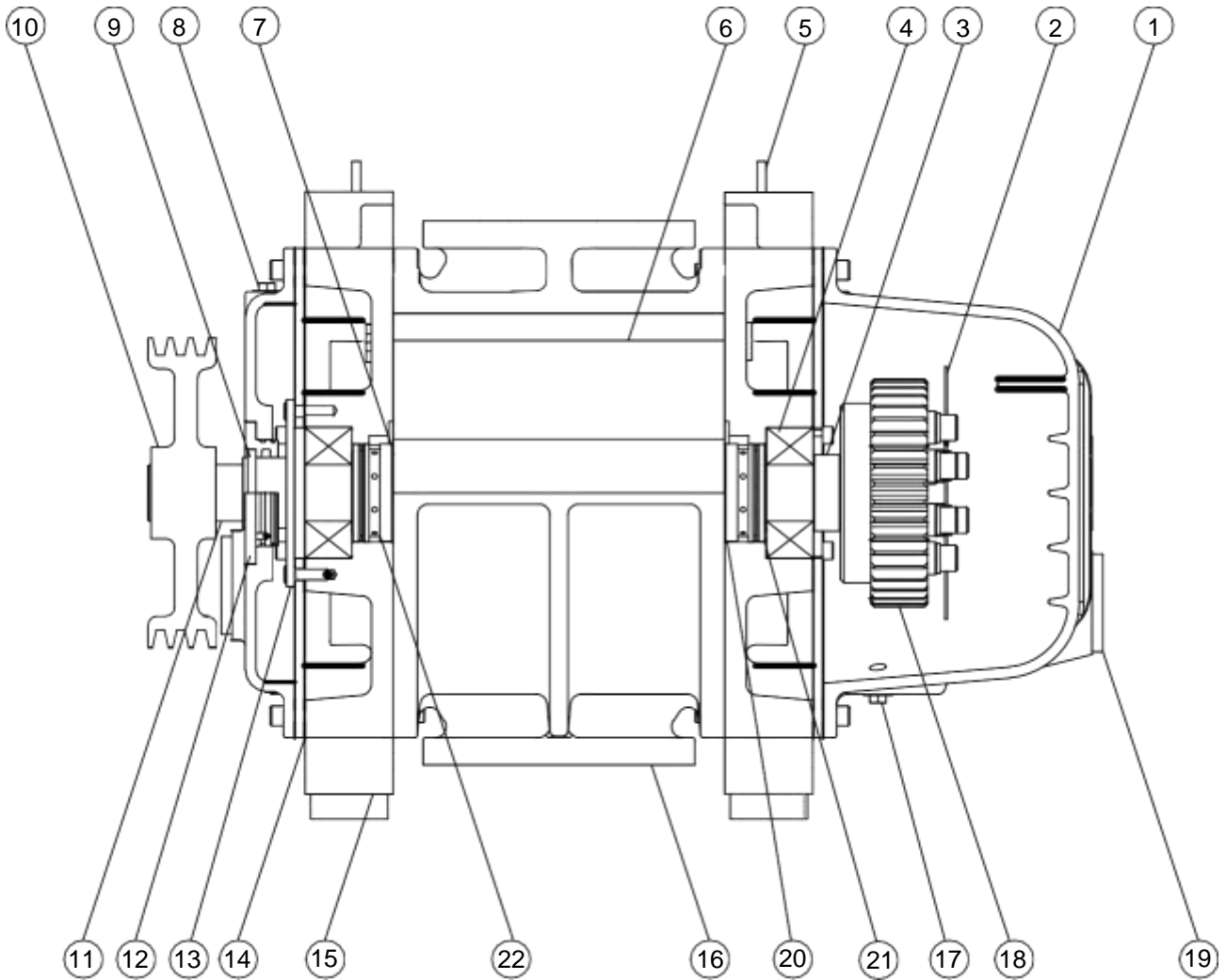
MODEL	AIR COOLED														WATER COOLED							
	SPEED	1000 mmWC		2000 mmWC		3000 mmWC		4000 mmWC		5000 mmWC		6000 mmWC		7000 mmWC		8000 mmWC		9000 mmWC		10000 mmWC		
	RPM	m ³ /hr	BKW	m ³ /hr	BKW	m ³ /hr	BKW	m ³ /hr	BKW	m ³ /hr	BKW	m ³ /hr	BKW	m ³ /hr	BKW	m ³ /hr	BKW	m ³ /hr	BKW	m ³ /hr	BKW	
1024	700	3320	13.1	3103	23.5	2937	33.9	2796	44.4	2673	54.8	2561	65.3	2458	75.7	2363	86.2	2273	96.6	2188	107.0	
	900	4418	16.8	4201	30.2	4035	43.6	3894	57.1	3771	70.5	3659	83.9	3556	97.3	3461	110.8	3371	124.2	3286	137.6	
	1100	5516	20.5	5299	36.9	5133	53.3	4992	69.7	4869	86.2	4757	102.6	4654	119.0	4559	135.4	4469	151.8	4384	168.2	
	1300	6614	24.2	6397	43.6	6231	63.0	6090	82.4	5967	101.8	5855	121.2	5752	140.6	5657	160.0					
	1500	7712	28.0	7495	50.3	7329	72.7	7188	95.1	7065	117.5	6953	139.9	6850	162.2							
	1700	8810	31.7	8593	57.1	8427	82.4	8286	107.8	8163	133.1	8051	158.5									
	1800	9359	33.6	9142	60.4	8976	87.3	8835	114.1	8712	141.0	8600	167.8									
ET7000	700	3320	13.1	3103	23.5	2937	33.9	2796	44.4	2673	54.8	2561	65.3	2458	75.7	2363	86.2	2273	96.6	2188	107.0	
	900	4418	16.8	4201	30.2	4035	43.6	3894	57.1	3771	70.5	3659	83.9	3556	97.3	3461	110.8	3371	124.2	3286	137.6	
	1100	5516	20.5	5299	36.9	5133	53.3	4992	69.7	4869	86.2	4757	102.6	4654	119.0	4559	135.4	4469	151.8	4384	168.2	
	1300	6614	24.2	6397	43.6	6231	63.0	6090	82.4	5967	101.8	5855	121.2	5752	140.6	5657	160.0	5567	179.4	5482	198.8	
	1500	7712	28.0	7495	50.3	7329	72.7	7188	95.1	7065	117.5	6953	139.9	6850	162.2	6755	184.6	6665	207.0	6580	229.4	
	1700	8810	31.7	8593	57.1	8427	82.4	8286	107.8	8163	133.1	8051	158.5	7948	183.9	7853	209.2	7763	234.6			
	1800	9359	33.6	9142	60.4	8976	87.3	8835	114.1	8712	141.0	8600	167.8	8497	194.7	8402	221.5					
ET9000	700	4419	16.5	4131	30.4	3909	44.3	3723	58.2	3558	72.1	3409	86.0	3273	99.9	3145	113.8	3026	127.7	2913	141.6	
	900	5881	21.2	5593	39.1	5371	57.0	5184	74.9	5020	92.7	4871	110.6	4734	128.5	4607	146.3	4488	164.2	4375	182.1	
	1100	7343	25.9	7054	47.8	6833	69.6	6646	91.5	6482	113.3	6333	135.2	6196	157.0	6069	178.9	5949	200.7	5836	222.6	
	1300	8805	30.7	8516	56.5	8295	82.3	8108	108.1	7943	133.9	7795	159.8	7658	185.6	7531	211.4	7411	237.2			
	1500	10266	35.4	9978	65.2	9756	95.0	9570	124.8	9405	154.5	9256	184.3	9120	214.1							
	1700	11728	40.1	11440	73.9	11218	107.6	11031	141.4	10867	175.2	10718	208.9									
	1800	12459	42.5	12170	78.2	11949	114.0	11762	149.7	11598	185.5	11449	221.2									
ERRG350	590	11088	43	10758	76	10518	109	10338	142	10176	175	10032	208	9888	241	9768	274	9648	307	9558	341	
	630	11892	46	11562	81	11322	116	11142	152	10980	187	10836	222	10692	257	10572	293	10452	328	10362	363	
	670	12696	49	12366	86	12126	124	11946	161	11784	199	11640	236	11496	273	11376	311	11256	349	11166	386	
	710	13494	52	13164	91	12924	131	12744	171	12582	211	12438	250	12294	290	12174	330	12054	370	11964	409	
	730	13896	52	13566	93	13326	134	13146	175	12984	216	12840	257	12696	297	12576	338	12456	380	12366	420	

PERFORMANCE DATA CALIFORNIA PRT SERIES

MODEL	INLET/OUTLET (MM)	SPEED (RPM)	1000 MMWG		2000 MMWG		3000 MMWG		4000 MMWG		5000 MMWG		6000 MMWG		7000 MMWG		8000 MMWG		9000 MMWG		10000 MMWG	
			M ³ /hr	BHP	M ³ /hr	BHP	M ³ /hr	BHP	M ³ /hr	BHP	M ³ /hr	BHP	M ³ /hr	BHP	M ³ /hr	BHP	M ³ /hr	BHP	M ³ /hr	BHP	M ³ /hr	BHP
36	65	900	109	0.72	88	1.30	73	1.85	60	2.43												
		1200	162	0.97	124	1.74	126	2.52	113	3.28												
		1440	205	1.16	184	2.09	168	3.02	155	3.94												
315	20	1200	37	0.38	31	0.57	26	0.76	22	0.96	19	1.15	16	1.33	13	1.53	10	1.71				
		1440	48	0.47	41	0.69	37	0.92	33	1.15	29	1.37	26	1.60	23	1.83	20	2.05				
		1800	63	0.51	51	0.85	41	1.19	33	1.53	27	1.86	20	2.20	14	2.54	9	2.87				
42	40	1200	94	0.69	82	1.14	72	1.59	64	2.04	57	2.49	51	2.93	45	3.38	40	3.83				
		1440	118	0.83	106	1.37	97	1.91	89	2.44	82	2.98	76	3.52	70	4.06	65	4.60				
		1800	156	1.07	140	1.85	124	2.20	112	2.64	102	2.85	93	3.51								
44	50	900	96	0.67	80	1.16	67	1.65	57	2.14	49	2.63										
		1200	140	0.89	124	1.55	112	2.20	102	2.85	93	3.51										
		1440	176	1.07	160	1.85	148	2.64	138	3.43	129	4.21										
47	65	900	185	1.07	160	1.96	142	2.84	126	3.73												
		1200	266	1.42	242	2.61	223	3.79	208	4.98												
		1440	331	1.71	306	3.13	288	4.55	273	5.98												
412	80	1000	350	1.79	310	3.75	279	5.42	253	7.12	230	8.96										
		1200	439	2.15	399	4.35	368	6.48	342	8.62	319	10.74										
		1440	547	2.55	506	5.21	476	7.77	450	10.34	427	12.86										
53	65	750	124	0.84	106	1.45	93	2.06	81	2.67	71	3.28	62	3.89	54	4.51	45	5.12	72	6.88	65	7.61
		900	158	1.00	140	1.74	126	2.47	115	3.21	105	3.94	95	4.66	87	5.41	79	6.14	139	9.17	132	10.15
		1200	225	1.34	207	2.32	194	3.30	183	4.28	172	5.25	163	6.22	154	7.21	146	8.19	192	11.01	185	12.18
55	65	750	166	1.10	145	1.80	129	2.59	116	3.38	103	4.17										
		900	209	1.20	188	2.16	172	3.11	159	4.06	146	5.00										
		1300	324	1.76	303	3.13	287	4.49	274	5.86	262	7.23										
59	80	750	328	1.74	294	3.22	269	4.72	247	6.22												
		900	411	2.07	377	3.87	351	5.67	329	7.47												
		1300	630	2.99	596	5.59	570	8.18	548	10.79												
514	100	1440	707	3.31	673	6.19	647	9.07	625	11.95												
		750	489	2.46	438	4.69	399	6.92	366	9.27												
		900	611	2.95	560	5.62	521	8.3	489	11.1												
1300	897	4.26	886	8.12	847	12	815	16.1														
1440	1051	4.72	1000	9.02																		

Blue cells for FAD indicate next higher standard line size recommended. Red value for BKW indicate suitable for Intermittent Duty Applications only & not fit for continuous 24/7 running.

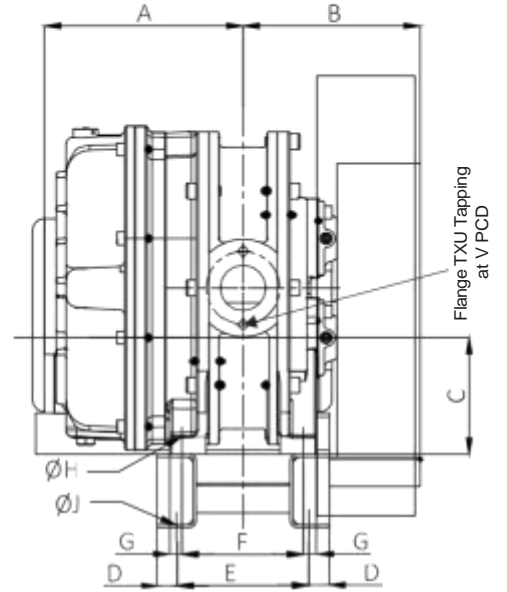
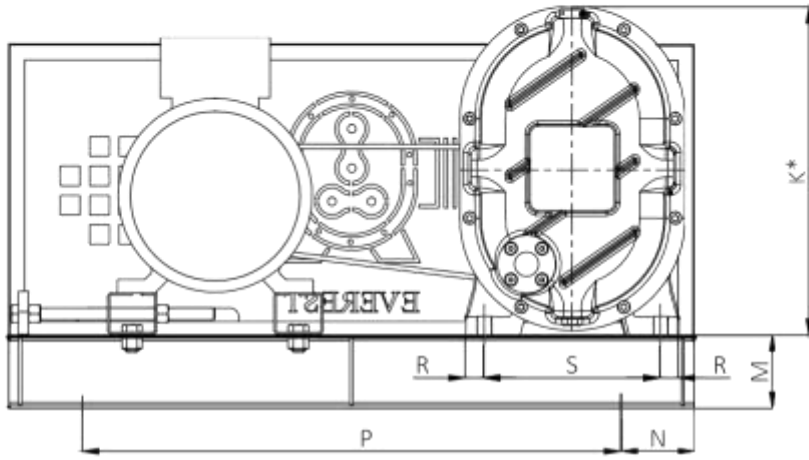
TWIN-LOBE STRUCTURE & MATERIAL



TWIN-LOBE BLOWER STRUCTURE & MATERIAL DETAIL

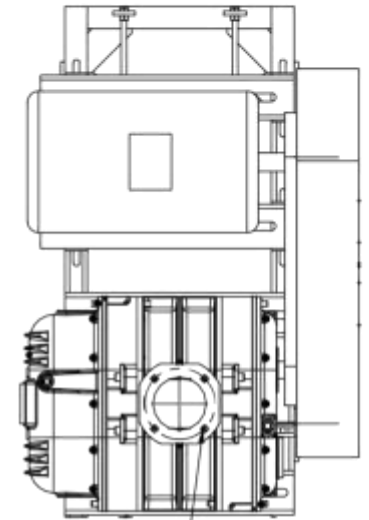
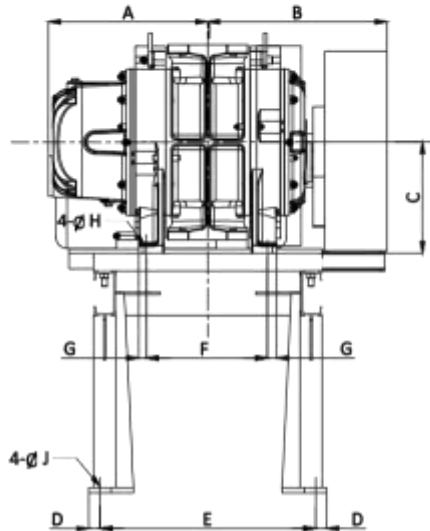
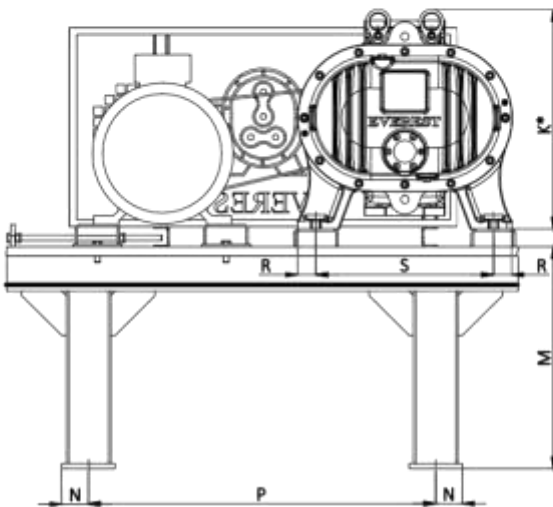
NO.	NAME	MATERIAL	NO.	NAME	MATERIAL
1	GSP Cover	C.I. FG200	12	Oil Seal Housing	C.I. FG260
2	Oil Splasher	CR Sheet / Aluminum	13	Bearing Clamp	M.S.
3	Spacer	M.S./EN8	14	Gasket	Non Asbestos (Compressed Fibre)
4	Bearing	Alloy Steel	15	Side Plate	C.I. FG260
5	Lifting Hook	M.S.	16	Body	C.I. FG260
6	Rotor	S.S./C.I./SG Iron	17	Oil Drain Plug	M.S. Magnetic
7	Piston/Axial Bush	C.I./EN8	18	Timing Gear	Alloy Steel
8	Oil Fill Plug	M.S./Brass	19	Oil Indicator	Aluminum
9	Oil Seal	Nitrile/Viton	20	Labyrinth Seal	S.S. (MVR)
10	Pulley	C.I.	21	Lip Seal	Nitrile / Viton
11	Shaft	EN19	22	Piston Ring	C.I.

TWIN-LOBE DIMENSIONS AND WEIGHT



Model	A	B	C	D	E	F	G	H	J	K*	M	N	P	R	S	T	U	V	WT. (KG)	Line size (NB)	Noise Level dB(A)	Orientation	Application
M450	203	181	119	20	136	134	8	14	12	333	75	75	550	19	180	2	M10	75	100	40	74	HF	Air
M44	230	217	150	20	167	166	21	14	12	364	75	75	650	30	180	2	M10	112	170	65	76	HF	Air

* Max. height of blower (From hook top to foot bottom or Blower Discharge top to foot bottom) Units: mm, Weight (WT.) : Blower weight in "Kg"
The above Noise Level are given considering Blower without Acoustic Hood at 1500 RPM and 4000 - 5000 mmWC



Model	A	B	C	D	E	F	G	H	J	K*	M	N	P	R	S	T	U	V	WT. (KG)	Line size (NB)	Noise Level dB(A)	Orientation	Application
M422	142	140	93	25	190	116	12	11	12	169	258	43	520	20	90	-	1-1/4" BSP	-	70	32	75	VF	Air/Gas
5125	265	286	220	22	316	201	23	14	12	357	260	60	720	49	304	2	M10	112	350	80	85	VF	Air
5175	288	301	220	22	252	252	23	14	12	395	100	90	720	48	304	4	M16	160	380	100	85	RAF	Air
EXPO-2	267	360	225	22	600	214	18	16	12	362	485	60	700	31	340	-	4" BSP	-	440	100	85	VF	Air
67	359	415	250	37	471	281	15	16	14	467	500	68	900	41	400	4	M16	160	700	100	88	VF	Air/Gas
610	390	447	250	37	471	344	15	16	14	467	500	68	900	41	400	8	M16	180	730	125	88	VF	Air/Gas
615	454	481	250	37	471	471	15	16	14	467	500	68	900	41	400	8	M16	210	800	150	90	VF	Air/Gas
78	369	431	275	35	522	293	20	16	19	525	550	75	1050	59	450	8	M16	180	1060	125	89	VF	Air/Gas
710	394	421	275	35	522	344	20	16	19	520	550	75	1050	59	450	8	M16	180	1100	125	95	VF	Air/Gas
713	432	474	275	35	622	420	20	16	19	520	660	75	965	59	450	8	M16	210	1220	150	96	VF	Air/Gas

* Max. height of blower (From hook top to foot bottom or Blower Discharge top to foot bottom) Units: mm, Weight (WT.) : Blower weight in "Kg"
The above noise level are given considering Blower without Acoustic Hood at 1500 RPM and 4000 - 5000 mmWC

DESIGN & TECHNICAL FEATURES TRI-LOBE BLOWERS

Seal:

Low-wear, non-contacting, labyrinth-type seals ensure performance and long life.

Casing:

All “Biocrust Envi-Tech blowers” are single-piece construction and precision machined cast iron, with ribs for strength and consistent thermal behavior.

Shafts:

Rotor shafts are alloy steel forgings that allow higher operating pressure and rotating speed

Bearings:

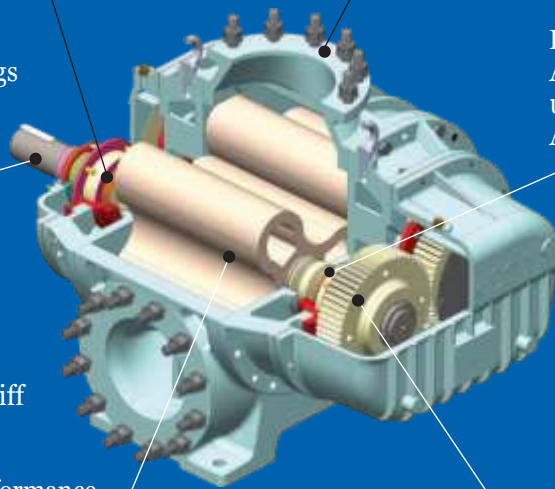
All “Biocrust Envi-Tech” Blowers are using SKF/FAG bearings with long life. Anti-friction type vary with machine.

Rotors:

Made from CI or SG iron with stiff design for maximum life. By CNC and 3D machinery control to ensure the highest performance providing with trouble-free performance and durability.

Timing Gears:

Forged steel gears with hardened and ground spur teeth to reduced vibrations and ensures accurate rotor to rotor timings for smooth and efficient operation.



ENQUIRY

⊙ “Biocrust Envi-Tech” developed positive displacement blowers for a full range of application.

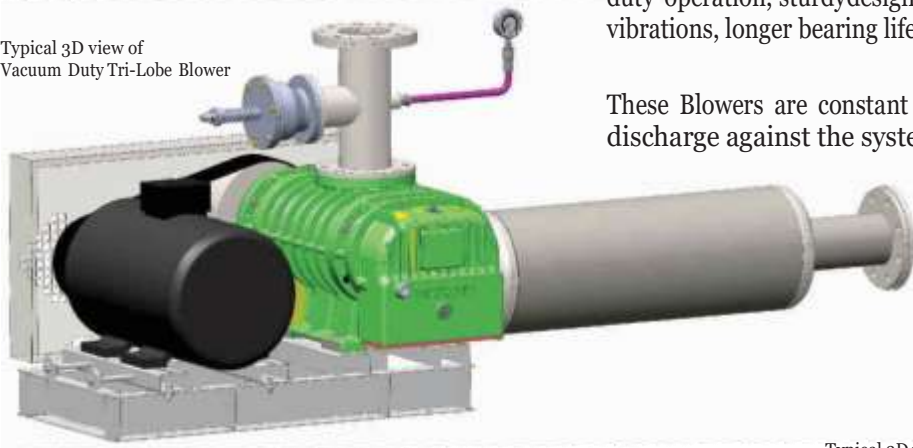
⊙ When enquiring, please inform us the following:

- Application: Water Aeration, Pneumatic Conveying etc.
- Specifications:
 - Suction Capacity (Air Flow Requirements)
 - Differential Pressure
 - Temperature
 - Humidity
- Drive: Motor Type, Condition
- Installation: Indoor or Outdoor, Ambient Temperature
- Type of Gas: Name and Properties

TRI-LOBE BLOWER COMPLETE SET

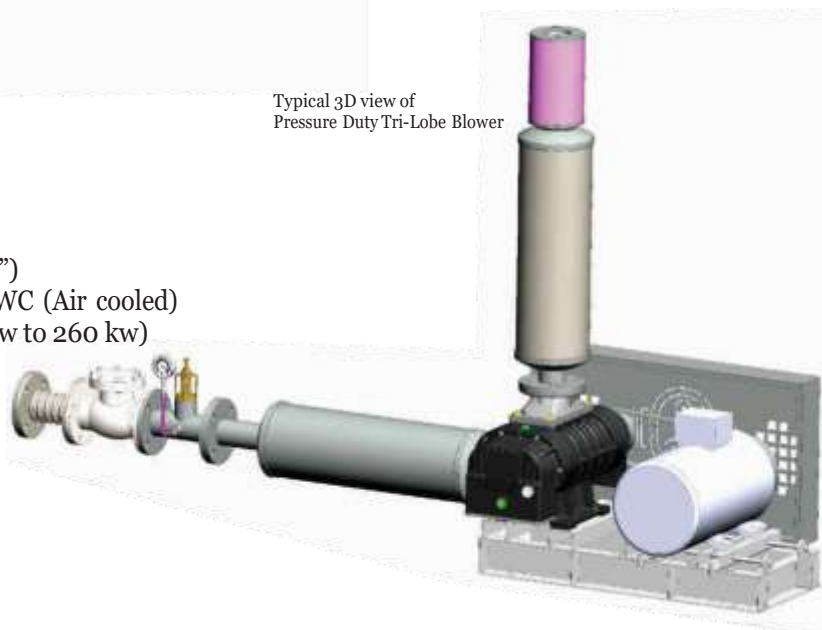
“Biocrust Private Limited” Tri-lobe Rotary Air Blower have been designed keeping the specific demands of the industry of continuous duty operation, sturdy design, reduced noise, reduced pulsations and vibrations, longer bearing life and minimal maintenance in mind.

Typical 3D view of Vacuum Duty Tri-Lobe Blower



These Blowers are constant volume machines, which deliver a fixed discharge against the system back pressure.

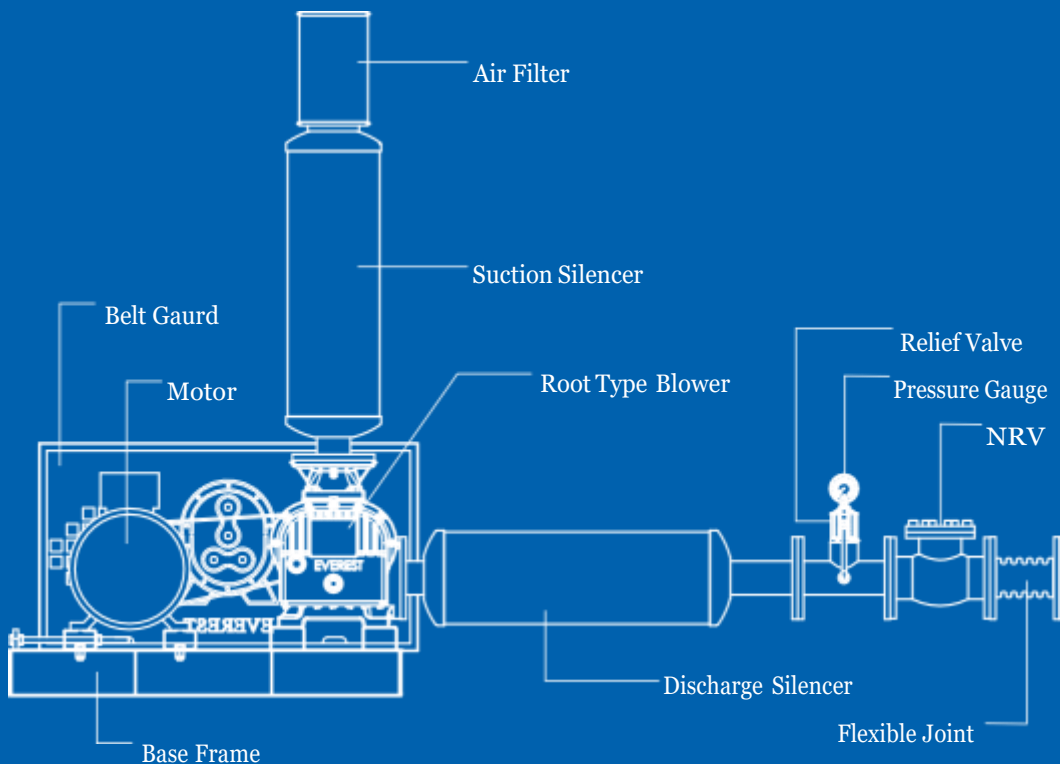
Typical 3D view of Pressure Duty Tri-Lobe Blower



ADVANTAGE

Wide range of volume, pressure & horse power

- Bore : 25NB to 350NB (1” to 14”)
- Pressure : 1000mmWC to 8000mmWC (Air cooled)
- Horse Power : 0.3 HP to 345 HP (0.22 kw to 260 kw)
- Capacity : 10 to 14000 m³/hr



TYPE MODEL TRILOBE SERIES

- ETL025
- ETL40
- ETL65
- ETL80
- ETL100
- ETL125
- ETL150
- ETL200
- ETL250
- ETL300
- ETL350

PERFORMANCE TABLE TRI-LOBE ROTARY BLOWERS

AIR COOLED																	
MODEL	SPEED	1000 mmWC		2000 mmWC		3000 mmWC		4000 mmWC		5000 mmWC		6000 mmWC		7000 mmWC		8000 mmWC	
	RPM	m³/hr	BKW	m³/hr	BKW	m³/hr	BKW	m³/hr	BKW	m³/hr	BKW	m³/hr	BKW	m³/hr	BKW	m³/hr	BKW
ETL025	2850	26	0.3	23	0.4	20	0.5	18	0.6	16	0.7						
ETL40	1500	31	0.2	25	0.4	21	0.5	17	0.6	14	0.7	11	0.8				
	1800	40	0.3	34	0.4	30	0.6	26	0.7	23	0.9	20	1.0				
	2200	52	0.3	46	0.5	42	0.7	38	0.9	35	1.1	32	1.2				
	2500	61	0.4	55	0.6	51	0.8	47	1.0	44	1.2	41	1.4				
	2900	73	0.5	67	0.7	62	0.9	59	1.2	56	1.4	53	1.6				
	3200	81	0.5	76	0.8	71	1.0	68	1.3	64	1.5	61	1.8				
	3600	93	0.6	88	0.9	83	1.1	80	1.4	76	1.7	73	2.0				
ETL65	800	116	0.8	100	1.2	87	1.6	77	2.0	67	2.5	59	2.9	51	3.3	44	3.7
	1100	174	1.1	158	1.7	145	2.2	135	2.8	125	3.4	117	4.0	109	4.5	102	5.1
	1400	232	1.4	216	2.1	203	2.8	193	3.6	184	4.3	175	5.0	167	5.8	160	6.5
	1700	290	1.7	274	2.6	261	3.4	251	4.3	242	5.2	233	6.1	226	7.0	218	7.9
	2100	368	2.0	351	3.2	339	4.3	328	5.4	319	6.5	311	7.6	303	8.7	296	9.8
	2500	445	2.4	429	3.8	416	5.1	406	6.4	397	7.7	388	9.0	381	10.3	373	11.6
	2800			487	4.2	475	5.7	464	7.2	455	8.6	446	10.1	439	11.6	432	13.0
ETL80	800	209	1.4	179	2.1	155	2.9	136	3.7	118	4.4	102	5.2	88	6.0	74	6.8
	1100	315	1.9	285	2.9	261	4.0	242	5.1	224	6.1	209	7.2	194	8.2	181	9.3
	1400	422	2.4	391	3.7	368	5.1	348	6.4	330	7.8	315	9.1	300	10.5	287	11.8
	1800	563	3.1	533	4.8	509	6.5	489	8.3	472	10.0	456	11.7	442	13.5	428	15.2
	2200	705	3.8	674	5.9	651	8.0	631	10.1	614	12.2	598	14.3	583	16.4	570	18.6
	2500					757	9.1	737	11.5	720	13.9	704	16.3	689	18.7	676	21.1
	2700													760	20.2	747	22.8
ETL100	800	306	1.7	270	2.7	242	3.8	218	4.9	197	6.0	179	7.0	161	8.1	145	9.2
	1100	454	2.3	418	3.8	390	5.2	366	6.7	345	8.2	326	9.7	309	11.1	293	12.6
	1400	602	2.9	565	4.8	537	6.7	514	8.5	493	10.4	474	12.3	457	14.2	441	16.0
	1700	750	3.5	713	5.8	685	8.1	662	10.4	641	12.7	622	14.9	605	17.2	589	19.5
	2100	947	4.4	911	7.2	883	10.0	859	12.8	838	15.6	819	18.4	802	21.3	786	24.1
	2500	1144	5.2	1108	8.6	1080	11.9	1056	15.3	1035	18.6	1016	22.0	999	25.3		
	2800	1292	5.8	1256	9.6	1228	13.3	1204	17.1	1183	20.8	1164	24.6				
ETL125	800	640	2.8	589	4.9	550	7.0	517	9.0	488	11.1	462	13.2	438	15.3	416	17.3
	1000	831	3.5	780	6.1	741	8.7	708	11.3	679	13.9	653	16.5	629	19.1	606	21.7
	1200	1022	4.2	971	7.3	932	10.4	899	13.6	870	16.7	844	19.8	820	22.9	797	26.0
	1400	1212	4.9	1161	8.6	1122	12.2	1090	15.8	1061	19.4	1034	23.1	1010	26.7	988	30.3
	1600	1403	5.6	1352	9.8	1313	13.9	1280	18.1	1251	22.2	1225	26.4	1201	30.5	1179	34.7
	1800	1594	6.3	1543	11.0	1504	15.7	1471	20.3	1442	25.0	1416	29.7	1392	34.3	1369	39.0
	2000	1784	7.0	1734	12.2	1695	17.4	1662	22.6	1633	27.8	1606	33.0	1582	38.1	1560	43.3
ETL150	800	863	3.4	813	6.1	775	8.8	743	11.4	715	14.1	689	16.8	665	19.4	643	22.1
	1000	1109	4.3	1059	7.6	1021	11.0	989	14.3	960	17.6	935	21.0	911	24.3	889	27.6
	1200	1355	5.1	1305	9.1	1267	13.1	1235	17.1	1206	21.2	1181	25.2	1157	29.2	1135	33.2
	1400	1600	6.0	1551	10.7	1512	15.3	1480	20.0	1452	24.7	1426	29.4	1403	34.0	1381	38.7
	1600	1846	6.8	1796	12.2	1758	17.5	1726	22.9	1698	28.2	1672	33.5	1649	38.9	1627	44.2
	1800	2092	7.7	2042	13.7	2004	19.7	1972	25.7	1944	31.7	1918	37.7	1894	43.8	1872	49.8
	2000	2338	8.5	2288	15.2	2250	21.9	2218	28.6	2189	35.3	2164	41.9	2140	48.6	2118	55.3

Blue cells for FAD indicate next higher standard line size recommended. Red value for BKW indicate suitable for Intermittent Duty Applications only & not fit for continuous 24/7 running.

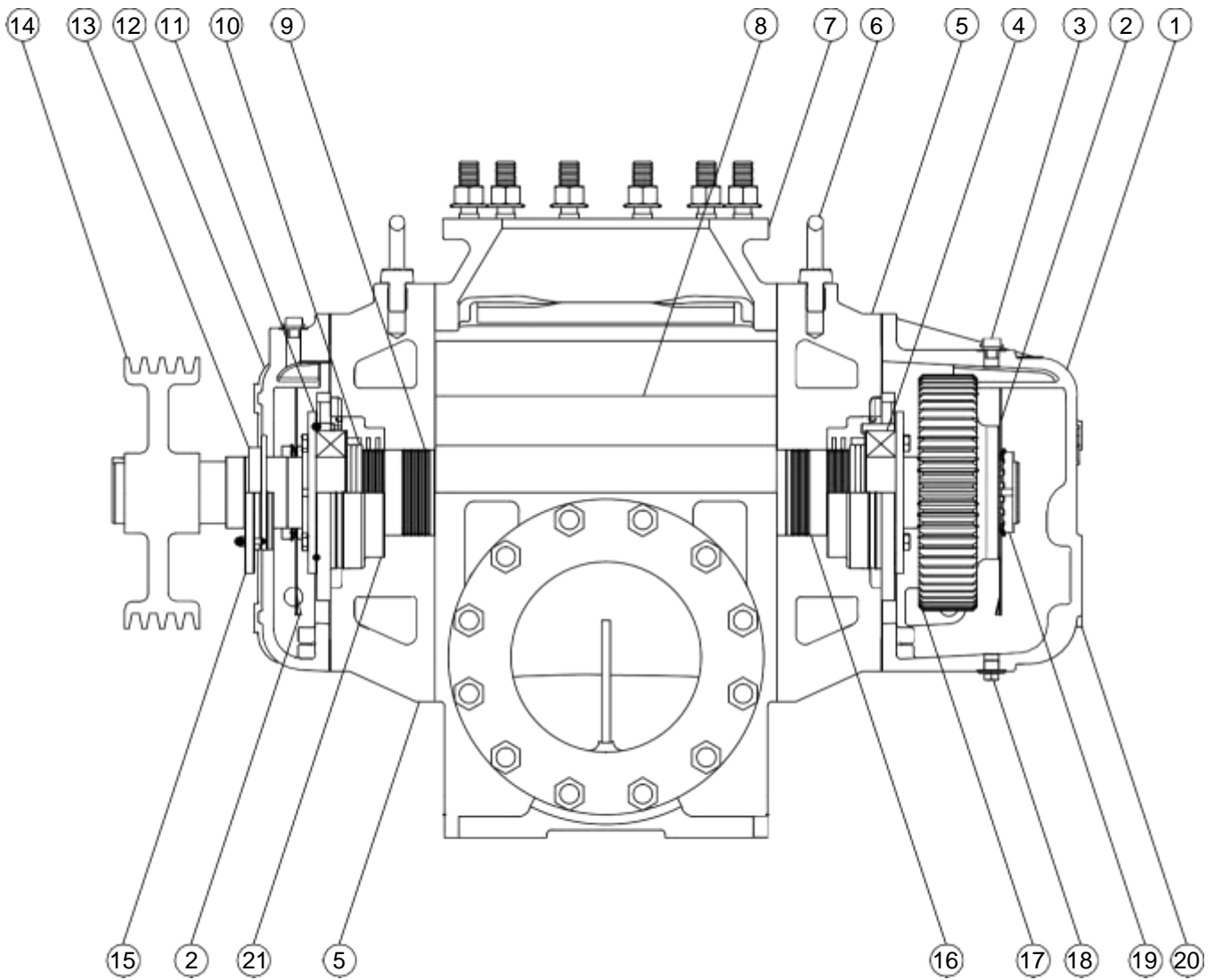
PERFORMANCE TABLE TRI-LOBE ROTARY BLOWERS

AIR COOLED																	
MODEL	SPEED	1000 mmWC		2000 mmWC		3000 mmWC		4000 mmWC		5000 mmWC		6000 mmWC		7000 mmWC		8000 mmWC	
	RPM	m ³ /hr	BKW	m ³ /hr	BKW	m ³ /hr	BKW	m ³ /hr	BKW	m ³ /hr	BKW	m ³ /hr	BKW	m ³ /hr	BKW	m ³ /hr	BKW
ETL200	800	1403	6.5	1309	11.0	1236	15.4	1175	19.8	1121	24.3	1072	28.7	1027	33.1	986	37.6
	1000	1811	8.2	1717	13.7	1644	19.2	1583	24.8	1529	30.3	1480	35.9	1435	41.4	1393	46.9
	1200	2219	9.8	2124	16.4	2052	23.1	1991	29.7	1937	36.4	1888	43.0	1843	49.7	1801	56.3
	1400	2627	11.4	2532	19.2	2460	26.9	2399	34.7	2345	42.5	2296	50.2	2251	58.0	2209	65.7
	1500	2831	12.2	2736	20.5	2664	28.9	2603	37.2	2549	45.5	2500	53.8	2455	62.1	2413	70.4
	1700	3239	13.9	3144	23.3	3072	32.7	3010	42.1	2957	51.5	2908	61.0	2863	70.4	2821	79.8
	1800	3443	14.7	3348	24.7	3276	34.6	3214	44.6	3161	54.6	3112	64.6	3067	74.5	3025	84.5
ETL250	800	2199	8.9	2076	15.7	1981	22.4	1902	29.2	1831	36.0	1768	42.8	1709	49.6	1655	56.4
	1000	2823	11.1	2700	19.6	2605	28.1	2526	36.5	2455	45.0	2392	53.5	2334	62.0	2279	70.4
	1200	3447	13.3	3324	23.5	3230	33.7	3150	43.8	3080	54.0	3016	64.2	2958	74.4	2903	84.5
	1400	4071	15.5	3948	27.4	3854	39.3	3774	51.1	3704	63.0	3640	74.9	3582	86.8	3528	98.6
	1600	4696	17.7	4572	31.3	4478	44.9	4398	58.4	4328	72.0	4264	85.6	4206	99.2	4152	112.7
	1700	5008	18.9	4884	33.3	4790	47.7	4710	62.1	4640	76.5	4576	90.9	4518	105.3	4464	119.8
	1800	5320	20.0	5196	35.2	5102	50.5	5022	65.8	4952	81.0	4889	96.3	4830	111.5	4776	126.8
ETL300	800	4911	18	4726	33	4583	47	4464	62	4358	76	4263	91	4175	105	4093	120
	1000	6250	23	6065	41	5923	59	5803	77	5698	95	5602	114	5515	132	5433	150
	1200	7589	27	7404	49	7262	71	7142	93	7037	115	6942	136	6854	158	6772	180
	1400	8929	32	8744	57	8602	83	8482	108	8376	134	8281	159	8193	185	8112	210
	1600	10268	36	10083	65	9941	95	9821	124	9716	153	9620	182	9533	211		
	1700	10938	39	10753	69	10611	100	10491	131	10385	162	10290	193	10202	224		
	1800	11607	41	11422	74	11280	106	11161	139	11055	172	10960	205	10872	237		
E3HF350	650	8958	35	8658	62	8418	90	8208	117	8022	144	7860	172				
	730	10170	40	9870	69	9630	101	9420	131	9234	162	9072	192				
	800	11220	43	10920	78	10680	110	10470	143	10284	177	10122	210				
	880	12438	47	12138	85	11898	121	11688	158	11502	195	11340	231				
	980	13944	52	13644	94	13404	135	13194	175	13008	216	12846	257				

Blue cells for FAD indicate next higher standard line size recommended. Red value for BKW indicate suitable for Intermittent Duty Applications only & not fit for continuous 24/7 running.



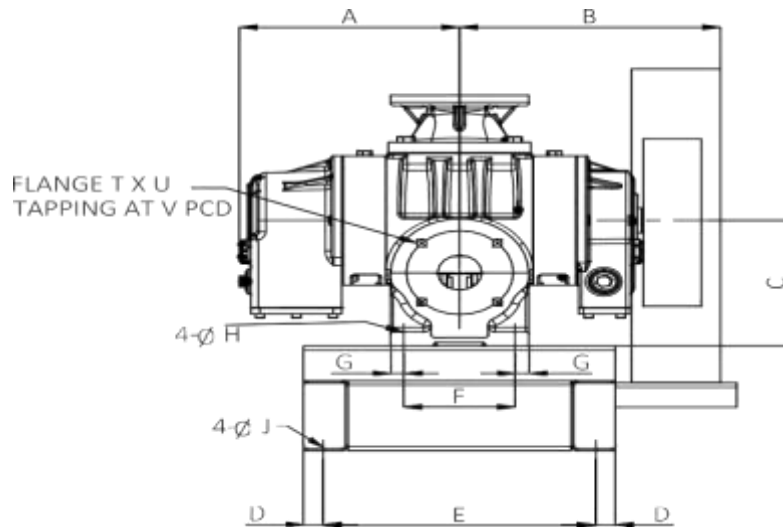
TRI-LOBE STRUCTURE & MATERIAL



TRI-LOBE BLOWER STRUCTURE & MATERIAL DETAIL

NO.	NAME	MATERIAL	NO.	NAME	MATERIAL
1	GSP Cover	C.I. FG200	12	PSP Cover	C.I. FG200
2	Oil Splasher	CR Sheet / Aluminum	13	Oil Seal	Nitrile/Viton
3	Oil Fill Plug	M.S. / Brass	14	Pulley	C.I.
4	Bearing	Alloy Steel	15	Oil Seal Housing	C.I. FG260
5	Side Plate	C.I FG260	16	Shaft	EN19
6	Lifting Hook	MS	17	Timing Gear	Alloy Steel
7	Body	C.I. FG260	18	Oil Drain Plug	M.S. Magnetic
8	Rotor	CI/SG Iron	19	Chuck Nut	M.S.
9	Labyrinth Seal	EN8	20	Oil Indicator	Aluminum
10	O-Ring	Viton/Nitrile	21	Bearing Housing	C.I.FG260
11	Bearing Clamp	M.S.	22	-	-

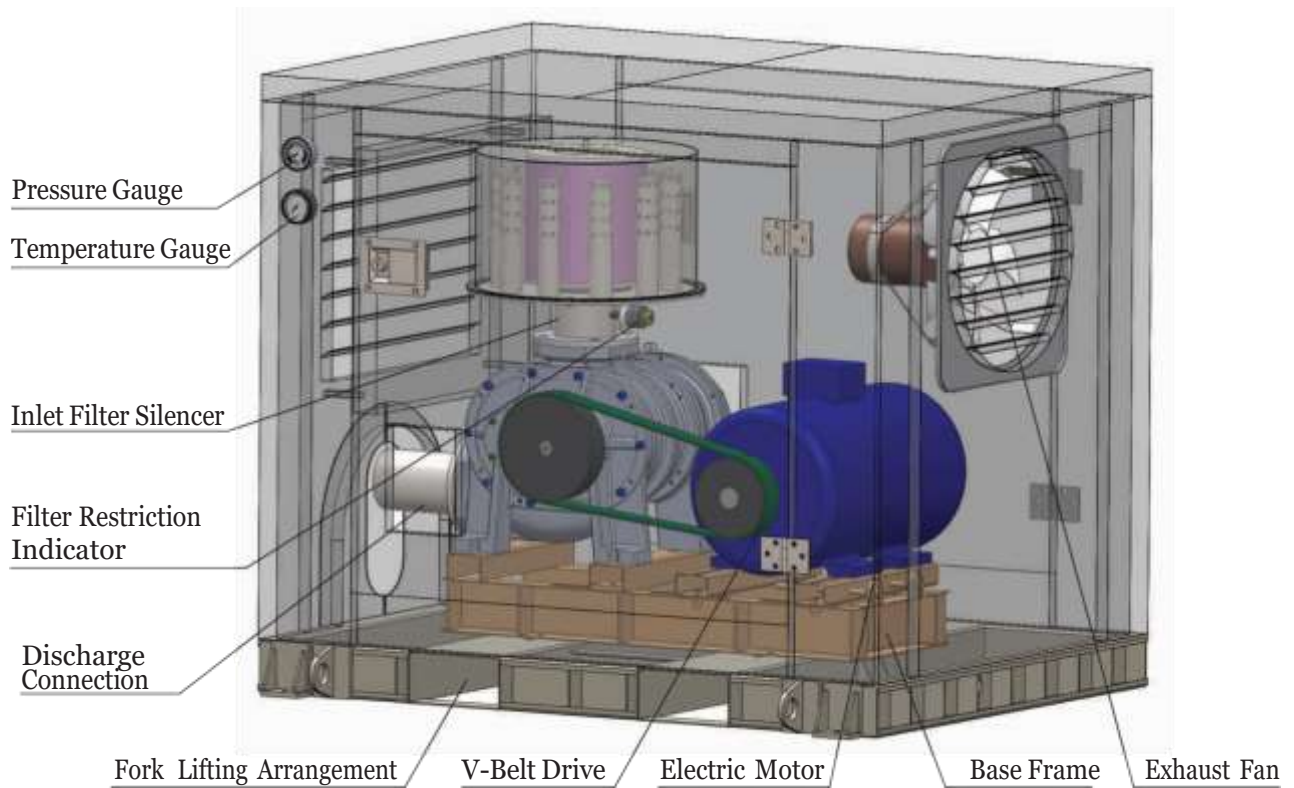
TRI-LOBE DIMENSIONS AND WEIGHT



Model	A	B	C	D	E	F	G	H	J	K	L	M	N	P	R	S	T	U	V	WT. (KG)	Line size (NB)	Noise Level dB(A)	Orientation	Application
ETL40	175	178	120	20	90	90	15	12	12	201	44	75	75	550	18	135	-	1-1/2" BSP	-	80	40	79	RAF	Air/Gas
ETL65	290	340	180	22	306	200	20	15	12	360	105	150	73	675	20	200	4	M12	140	340	65	81	RAF	Air/Gas
ETL80	326	400	225	25	300	190	20	15	12	370	120	150	100	675	25	250	4	M16	160	400	80	87	RAF	Air/Gas
ETL100	376	450	225	25	400	290	20	15	12	370	120	150	100	675	25	250	8	M16	180	440	100	87	RAF	Air/Gas
ETL125	434	520	310	33	535	320	24	19	15	515	155	200	200	900	25	350	8	M20	210	960	125	87	RAF	Air/Gas
ETL150	489	566	310	33	635	424	24	19	15	515	155	200	200	900	25	350	8	M20	239	1090	150	94	RAF	Air/Gas
ETL200	501	570	363	33	635	270	35	23	15	651	190	200	235	1180	30	570	12	M20	299	2130	200	103	RAF	Air/Gas
ETL250	596	666	390	33	725	450	40	23	19	678	215	200	235	1180	30	570	12	M20	362	2380	250	105	RAF	Air/Gas
ETL300	818	1030	490	33	1165	650	68	27	19	795	240	200	250	1325	35	710	12	M20	406	4130	300	108	RAF	Air/Gas

* Max. height of blower (From hook top to foot bottom or Blower Discharge top to foot bottom) Units: mm, Weight (WT.) : Blower weight in "Kg"
The above Noise Level are given considering Blower without Acoustic Hood at 1500 RPM and 4000 - 5000 mmWC

“BIOCRUST ENVI-TECH” SOUNDPROOF ENCLOSURES PACKAGE

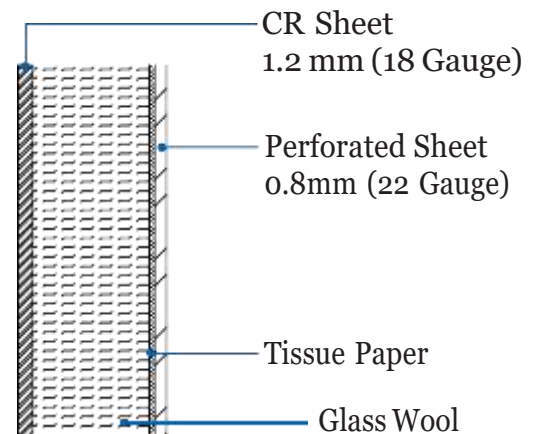


BIOCRUST in addition to our proven quality on roots blower manufacture, “Biocrust Envi-Tech” also design (ODM) high efficiency soundproof enclosures, to solve your noise problem. Each case is specifically manufactured according to your requirements with LT blower package.

FEATURES INCLUDE

- Independent frame system
- Modular acoustic panels
- Reduce noise
- Designed and built for your application
- Guarantee 12 to 25 dB(A) noise reduction (depending on the project)
- Service gate
- Temperature and pressure gauge
- Air inlet and fan covers
- Base frame

ENCLOSURE MATERIAL



*Please get in touch with our technical sales team for your application & requirement of Acoustic Hoods.

HOW TO USE PERFORMANCE CHART

STP Condition: Temp. 20°C, Pressure 1013mbar or 14.7 PSia, RH50%
(as per ISO 2011:2002)

NTP Condition: Temp. is 0 °C & all others same

You can directly select the blower by checking the pressure at Top row and RPM at side column in performance Table



UNITS CONVERSION

PRESSURE

	mbar	bar	Pa	kPa	atm	Torr	kgf/cm ²	mmH ₂ O	PSI	micron	inHg
1 mbar	1	1 x 10 ⁻³	10 ²	0.1	9.869 x 10 ⁻⁴	0.75	1.02 x 10 ³	10.197	1.45 x 10 ²	750	2.953 x 10 ⁻²
1 bar	10 ³	1	10 ⁵	100	0.986	7.5 x 10 ²	1.0197	1.02 x 10 ⁴	14.5	7.5 x 10 ³	29.53
1 Pa	0.01	10 ⁻⁵	1	0.001	9.869 x 10 ⁻⁶	7.5 x 10 ⁻³	1.02 x 10 ⁵	0.102	14.5 x 10 ⁻⁵	7.5	2.953 x 10 ⁻⁴
kPa	10	0.01	10 ³	1	9.869 x 10 ⁻³	7.5	1.02 x 10 ²	1.02 x 10 ²	0.145	7.5 x 10 ³	0.295
1 atm	1.0133	1.0133	1.013 x 10 ⁵	1.013 x 10 ²	1	760	1.033	1.033 x 10 ⁴	14.69	7.6 x 10 ³	29.92
1Torr	1.333	1.333 x 10 ⁻³	1.333 x 10 ²	1.333 x 10 ²	1.316 x 10 ⁻³	1	1.355 x 10 ³	13.595	1.93 x 10 ⁻²	103	3.937 x 10 ⁻²
1 kgf/cm ²	9.807 x 10 ²	0.981	9.807 x 10 ⁴	98.07	0.968	7.356 x 10 ²	1	10 ⁴	14.22	7.356 x 10 ⁵	28.96
1 mmH ₂ O	9.807 x 10 ⁻²	9.807 x 10 ⁻⁵	9.807	9.807 x 10 ⁻³	9.68 x 10 ⁻⁵	7.354 x 10 ⁻²	10 ⁴	1	1.422 x 10 ⁻³	73.54	2.896 x 10 ⁻³
1 PSI	68.95	6.895 x 10 ⁻²	6.89 x 10 ³	6.895	6.80 x 10 ⁻²	51.71	7.03 x 10 ⁻²	703.06	1	5.171	2.036
micron	1.333 x 10 ⁻³	1.333 x 10 ⁻⁶	1.333 x 10 ⁻¹	1.333 x 10 ⁻⁴	1.316 x 10 ⁻⁶	10 ⁻³	2.54 x 10 ⁻³	1.359 x 10 ²	1.934 x 10 ⁻⁵	1	3.937 x 10 ⁻⁵
inHg	33.86	3.386 x 10 ⁻²	3.386 x 10 ³	3.386	3.342 x 10 ⁻²	25.4	3.453 x 10 ⁻²	25.4	0.491	2.54 x 10 ⁴	1

Vacuum Conversion : Absolute pressure p (mbar abs.) can be converted to & from pressure difference DP (inches Hg) based on atmospheric pressure of 1013 mbar abs. (= 760 Torr = 29.92 inches Hg abs.) using the following formula : 29.92 - 2.953X10⁻² Xp(mbar abs) = Dp (inches Hg) ; 1013-33.86 X Dp (inches Hg) = p (mbar a

CAPACITY

	m ³ /hr	m ³ /min	m ³ /s	l/min	cfm (ft ³ /min)	gal/min
1m ³ /hr	1	1.667 x 10 ⁻²	2.778 x 10 ⁻⁴	16.67	0.588	4.403
1m ³ /min	60	1	1.667 x 10 ⁻²	10 ³	35.28	2.642 x 10 ²
1m ³ /s	3600	60	1	6 x 10 ⁴	2.117 x 10 ³	1.585 x 10 ⁴
1l/min	6 x 10 ⁻²	10 ⁻³	1.667 x 10 ⁻⁵	1	3.528 x 10 ⁻²	0.264
1 cfm (ft ³ /min)	1.699	2.832 x 10 ⁻²	4.72 x 10 ⁻⁴	28.32	1	7.481
1 gal/min	0.227	0.378	6.306 x 10 ⁻⁵	3.784	0.133	1

POWER

	kw	W(J/S)	PS	HP	Kcal/hr	Btu/hr
1 KW	1	10 ³	1.36	1.341	860	3.412 x 10 ³
1 W(J/S)	10 ⁻³	1	1.36 x 10 ⁻³	1.341 x 10 ⁻³	0.86	3.412
1 PS	0.736	736	1	0.986	6.329 x 10 ²	2.509 x 10 ³
1HP	0.746	7.46	1.014	1	6.413 x 10 ²	2.545 x 10 ³
1 Kcal/hr	1.163 x 10 ⁻³	1.163	1.58 x 10 ⁻³	1.559 x 10 ⁻³	1	3.968
1 Btu/hr	2.931 x 10 ⁻⁴	0.2931	3.985 x 10 ⁻⁴	3.93 x 10 ⁻⁴	0.252	1

SCOPE OF SUPPLY (TWIN LOBE & TRILOBE ROOTS AIR BLOWERS)



“Biocrust Envi-Tech” blowers are **available as package units, ready to install** or as bare blower units for replacement

A) Bare Blower:

1. Blower; 2. Suction & Discharge ICP/Companion Flanges; 3. Blower Pulley

B) Blower With Standard Accessories (Pressure Duty) Including Water Cooled Blowers:

1. Blower; 2. Common Motor & Blower Base Frame with Motor Rails & Belt Tightening Arrangement; 3. Belt Guard / Coupling Guard; 4. Suction Air Filter; 5. Suction Silencer; 6. Pressure Gauge; 7. Safety Relief Valve (Spring Loaded Type); 8. Pulleys & Vee Belts / Coupling; 9. Foundation Bolts; 10. Interconnecting Pipe with Companion Flange; 11. O&M Manual

C) Additional Accessories (Available As Per Requirements):

1. NRV; 2. V-Belt; 3. Discharge Silencer; 4. Anti-Vibration Pad; 5. Motor; 6. Differential Pressure Gauge Across Filter; 7. Temp. Gauge; 8. Special Paint; 9. Inspection; 10. Packing

D) Blower with Standard Accessories (Vacuum Duty):

1. Blower; 2. Common Motor & Blower Base Frame with Motor Rails & Belt Tightening Arrangement ; 3. Belt Guard / Coupling Guard; 4. Discharge Silencer; 5. Vacuum Gauge ; 6. Vacuum Relief Valve (Spring Loaded Type); 7. Pulleys & Vee Belts / Coupling; 8. Foundation Bolts; 9. Interconnecting Pipe with Companion Flange; 10. O&M Manual

E) Blower with Standard Accessories (Gas Duty):

1. Blower; 2. Common Motor & Blower Base Frame with Motor Rails & Belt Tightening Arrangement



Due to constant improvements, technical specifications are subject to change without notice. For further clarifications, contact our technical team who shall be glad to assist you to overcome application related problems.

SPARES & ACCESSORIES

Complete In-house Manufacturing.

Buy only GENUINE “**Biocrust Envi-Tech**” Products.

Retain your advantage with factory genuine replacement parts & accessories. All parts meet original manufacturing specifications and tolerances for guaranteed fit and function. Pre-packaged overall kits with detailed service manuals are available on request.



FEATURES

- Readily available
- Fast delivery
- Guaranteed fit and function
- Service kits for routine product maintenance

SPARES

Bearings, Oil Seals, Gears, Rotors, Spacer Bushes, Blower lubricant, Gaskets, Piston Rings, Body, Plate

ACCESSORIES

Safety Relief Valves, Filters, Suction Silencers, Discharge Silencers, Pulleys, V-Belts, Hubs, Drive couplings, Pressure Gauge, Vacuum Gauge, Non Return Valves, Base Frame, Belt guard

Due to constant improvements, technical specifications are subject to change without notice. For further clarifications, contact our technical team who shall be glad to assist you to overcome application related problems.

RING BLOWER



RING BLOWER

SINGLE PHASE SINGLE STAGE

SPECIFICATION

MOTOR	: 0.25 hp to 2 hp (single phase)
CAPACITY	: 48m ³ /hr to 216m ³ /hr
VACUUM CAPACITY	: -50mbar to -180mbar
PRESSURE	: 40mbar to 190mbar
STAGE	: single stage



TECHNICAL SPECIFICATION

Model	Rated Output (Kw)	Rated Output (HP)	Voltage (V)	Current (A)	Voltage (V)	Current (A)	Static Pressure Vacuum / Compressor (mbar)	Max Volumm (m ³ /hr)	Noise (db)	Weight (kg)	Outlet Dia (inch)
APX-0.25-1	0.18	0.25	110~120	2.5	220~240	1.25	50/40	48	52	6.5	1"
APX-0.5-1	0.4	0.5	110~120	5.5	220~240	2.6	110/130	84	58	11.5	1 1/4"
APX-1-1	0.75	1.0	110~120	11	220~240	5.5	140/160	144	58	12	1 1/2"
APX-1.5-1	1.1	1.5	-	-	220~240	7	160/190	144	63	16.5	1 1/2"
APX-2-1	1.5	2.0	-	-	220~240	10	180/190	216	70	26	2"

APPLICATIONS

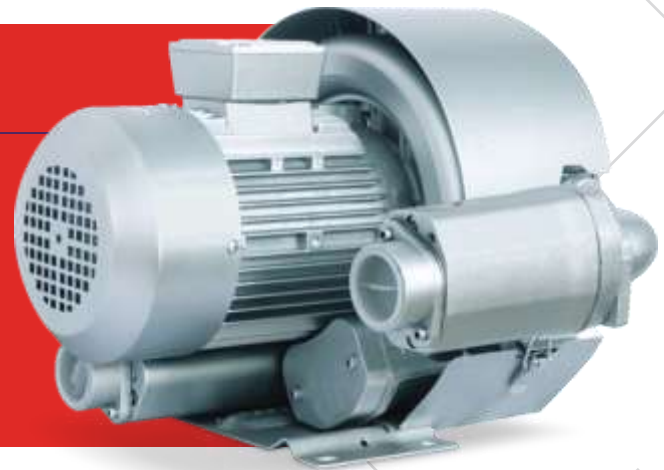
- Bio floc fish farming
- Dental Suction Equipments
- Printing Machineries
- Packaging Machine

RING BLOWER

SINGLE PHASE DOUBLE STAGE

SPECIFICATION

MOTOR	: 1 hp to 2 hp (Single Phase)
CAPACITY	: 90m3/hr to 156m3/hr
VACUUM CAPACITY	: -180mbar to -240mbar
PRESSURE	: 220mbar to 250mbar
STAGE	: Double Stage



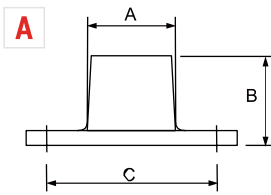
TECHNICAL SPECIFICATION

Model	Rated Output (Kw)	Rated Output (HP)	Voltage (V)	Current (A)	Voltage (V)	Current (A)	Static Pressure Vacuum / Compressor (mbar)	Max Volumm (m3/hr)	Noise (db)	Weight (kg)	Outlet Dia (inch)
APX-1-1 DS	0.75	1.0	110~120	9.2	220~240	4.5	180/220	90	60	17.5	1 1/4"
APX-2-1 DS	1.5	2.0	-	-	220~240	10	240/250	156	66	28.5	1 1/2"

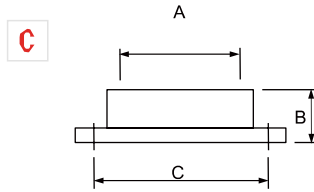
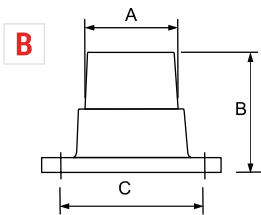
APPLICATIONS

- Bio floc fish farming
- Waste water treatment & sewage water treatment
- Air knives
- Pharmaceutical machines
- Aeration
- Bottle drying

Flanges



Item Symbol	A	B	C
2-011-02	Φ37	38	64
2-011-03	Φ32	38	64
4-011	Φ57	65	83

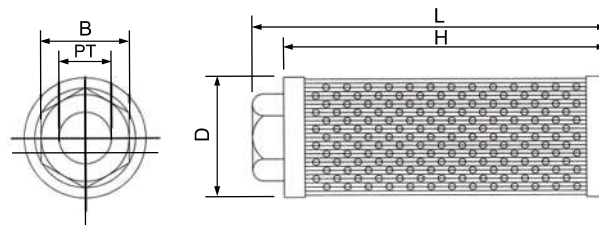


Item Symbol	A	B	C
1-011	PF 1"	23.5	50
2-011	PF1 1/4"	29	64
3-011	PF1 1/2"	31.5	68
3-011-04	Φ44.8	37	68
5-011	PF 2"	25	83
4-011-02	(USA) PF 2"	25	83
7-011	PF2 1/2"	31	Φ128
7-011-02	(USA) PF2 1/2"	31	Φ128
9-011	PF 4"	35	150
9-011-02	(USA) PF 4"	35	150

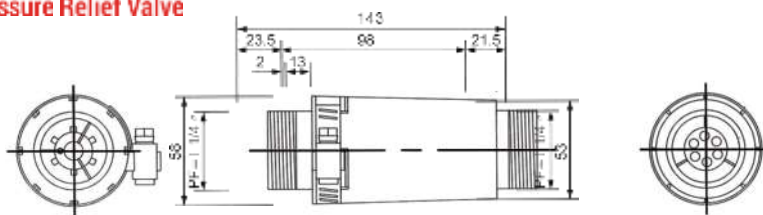


Suction Filter

Item Symbol	A	B	C
2-011-03	Φ44	57	68



Pressure Relief Valve

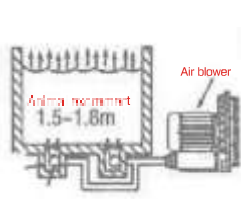


Type	(PT)	L (mm)	Dimension
RV-01	1 1/4"	143	0~3000 mmQq
RV-02	1 1/4"	143	0~6000 mmAq

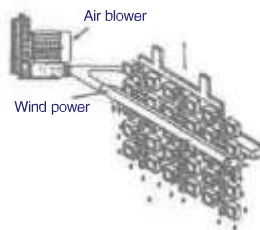


Item Symbol	PT	D (mm)	L (mm)	H (mm)	B (mm)	Filtration mesh (目)	Flow (L/min)	Weight (KG)
MF-08	1"	65	158	145	42	100	110	0.18
MF-10	1 1/4"	65	178	164	50	100	180	0.2
MF-12	1 1/2"	83	194	180	65	100	216	0.33
MF-16	2"	102	210	200	75	100	364	0.48
MF-20	2 1/2"	158	274	252	97	100	750	1.23
MF-32	4"	208	379	356	142	100	1000	2.45

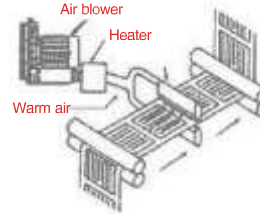
APPLICATIONS OF RING BLOWERS



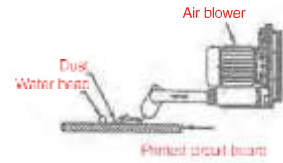
Animal excrement fermentation SBR



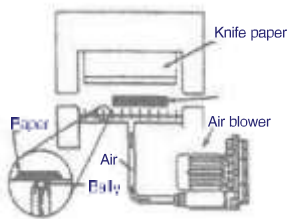
Drying after cleaning



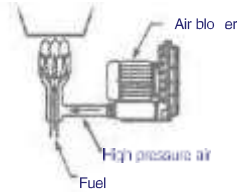
Printed forced drying



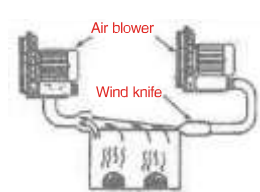
Drying purpose air knife



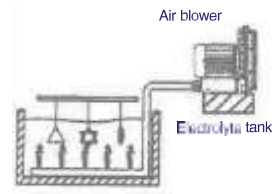
Paper cutter air cushion



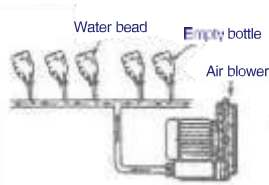
Gas creosote combustor



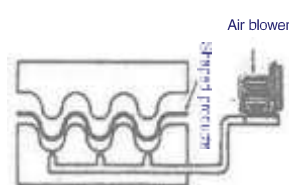
Fume blowing and sucking



Electrolyte agitation



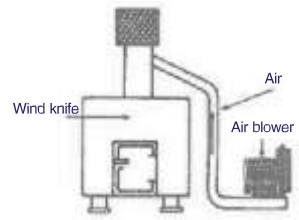
Bottle cleaner drying



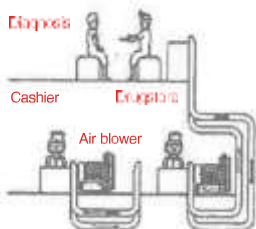
Punch machine



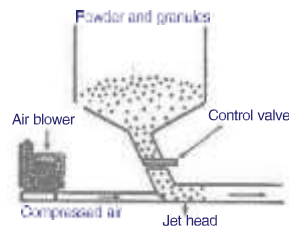
Car cleaning and drying



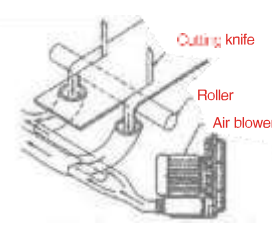
Incinerator



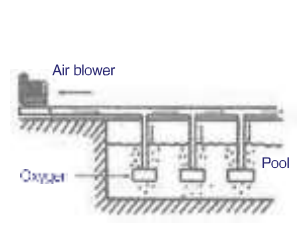
Summons conveyance



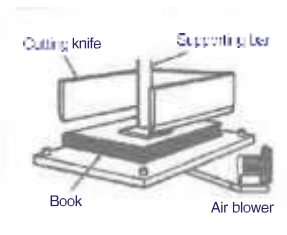
Powder and granule conveyance



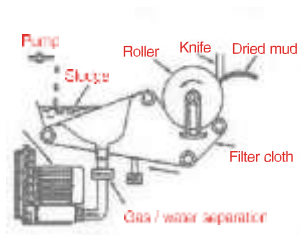
Paper and cloth delivery



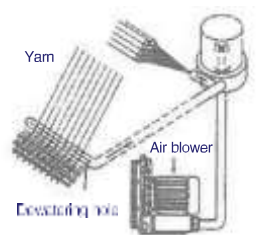
Aquatic pool oxygen supply



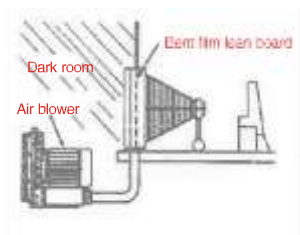
Book maker



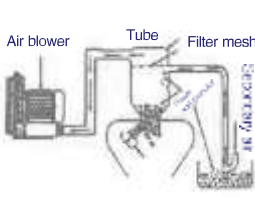
Vacuum dewatering



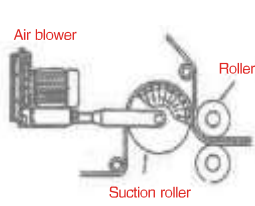
Loom thread suction



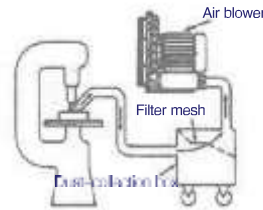
Photoplate making



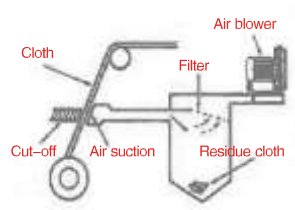
Powder and granule conveyance



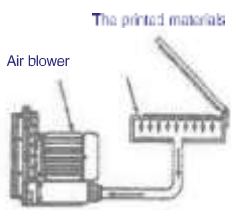
Printed suction



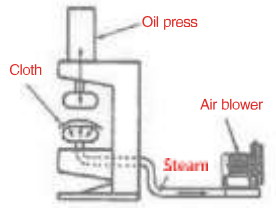
Industrial dust collection



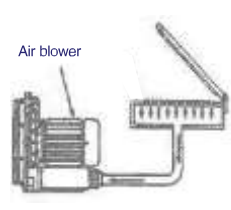
Residue cloth disposal



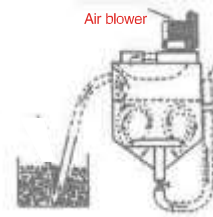
Screen board printer suction



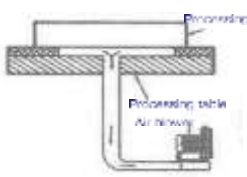
Cloth iron



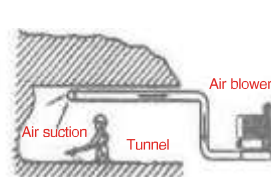
Milk paper box filler



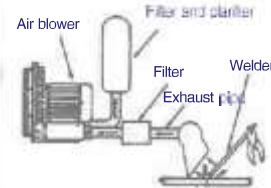
Tofu machinery



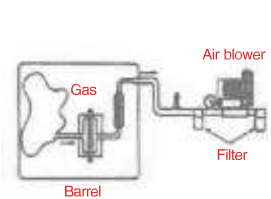
Processed materials suction



Construction site



It sucks the welding waste gas.



Gas disintegration



BIOCRUST PRIVATE LIMITED A PIONEER ROOTS
& RING BLOWER MANUFACTURER.....

- Leading By Innovation
- Technically Stronger Physically
- More Connected Ready to take
- INDIA Global

CONTACT US-

“BIOCRUST PRIVATE LIMITED”



Corporate
+91-9661999041



Sales
enquiry@biocrustgroup.com / info@biocrustgroup.com

Factory
+91-9599936114

Tech / Service Support:
biocrust@hotmail.com / info@biocrustgroup.com



Web.
www.biocrustgroup.com



Corporate Office:
Green Villa-2, C-16, Sec.-16B, near Ek-Murti, Greater Noida (West), Uttar Pradesh-201308, INDIA.

Factory:
Plot No.-73-74, Aligarh Palwal Road, Tappal, Uttar Pradesh-202165, INDIA.

